



®

# CLARITY

# TABLE OF CONTENTS

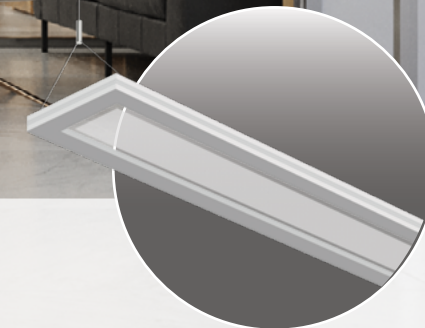
Intro	3
Clarity Troffer	4
Clarity UP/Down Linear	6
Clarity Multi-purpose Linear	8
Options	9
Controls	10

Clarity is a family of specification-grade luminaires that bring sophistication and elegance to any space. The laser-etched light guide is the core design element which is used on all products in the Clarity family. It facilitates minimalistic, sleek profiles that create consistency and uniqueness throughout the installed space.

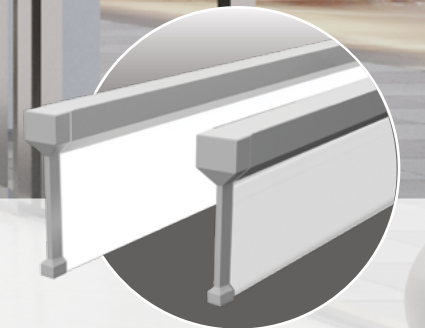
Clarity fixtures are Quick Ship Ready for ongoing or near term project needs.



**TROFFER**  
(CLRT)

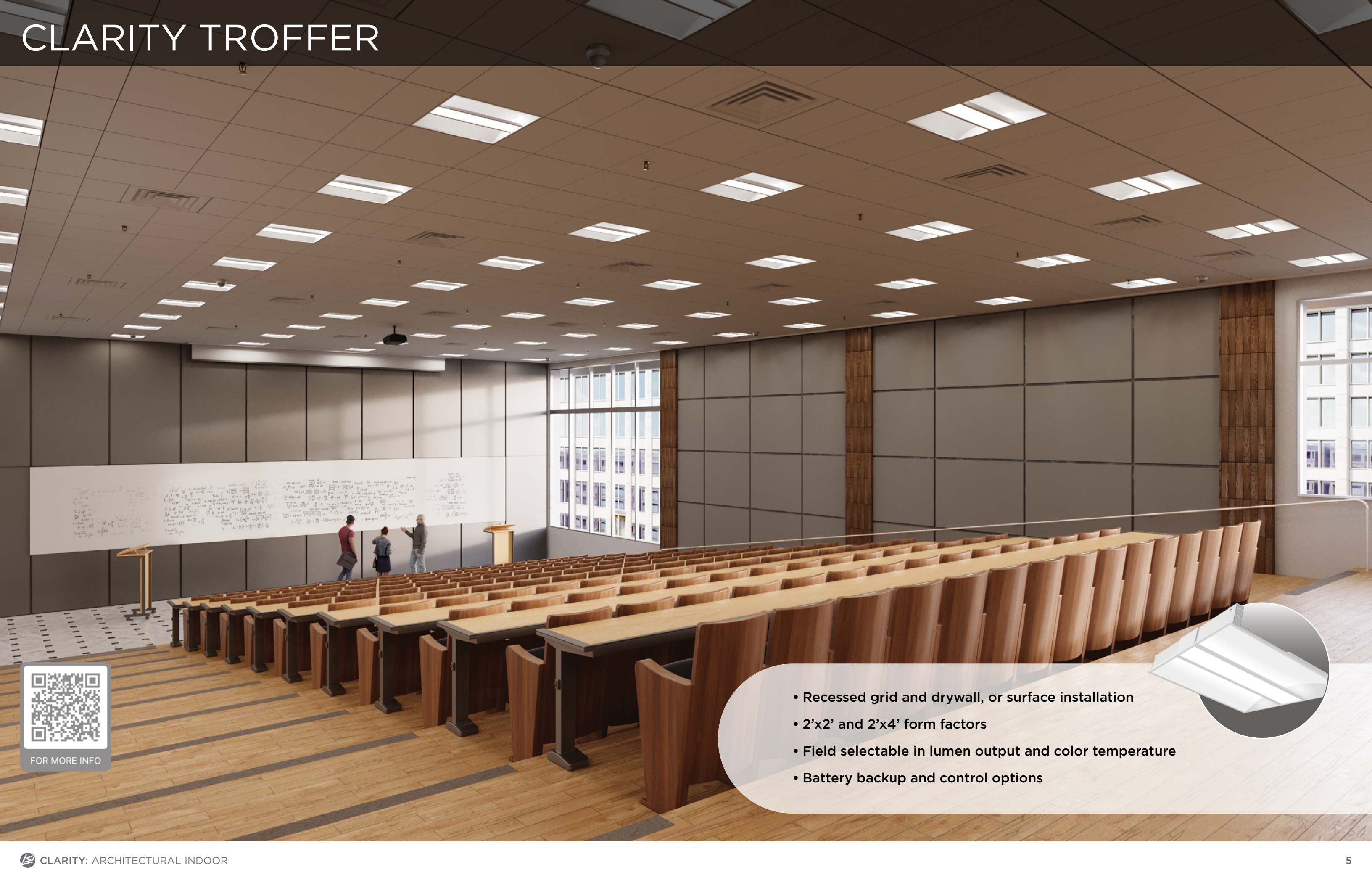


**UP/DOWN LINEAR**  
(CLRL)



**MULTI-PURPOSE LINEAR**  
(CLRM)

# CLARITY TROFFER



FOR MORE INFO

- Recessed grid and drywall, or surface installation
- 2'x2' and 2'x4' form factors
- Field selectable in lumen output and color temperature
- Battery backup and control options

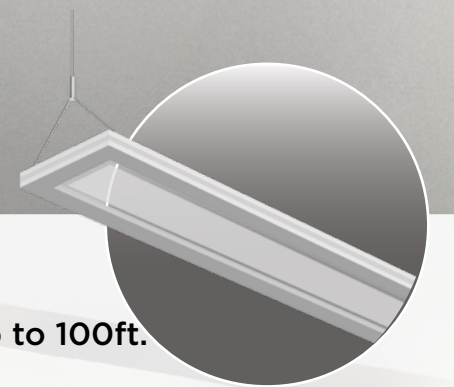


# CLARITY UP/DOWN LINEAR



FOR MORE INFO

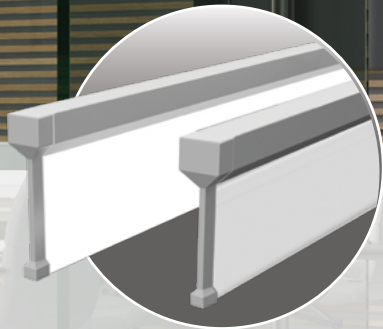
- Suspended installation
- 4' and 8' lengths standard; easy continuous runs up to 100ft.
- Direct and indirect illumination
- Selectable in color temperature
- Battery backup and control options



# CLARITY MULTI-PURPOSE LINEAR



- Suspended or surface installation
- Available in 2' and 4' lengths
- Direct and indirect illumination
- Field selectable in lumen output and color temperature. 90 CRI minimum
- Battery backup and control options



# OPTIONS



- Custom finishes available
- Custom laser-etched designs



- Factory-locked lumen output or color temperature available
- Contact factory for non-standard color temperatures, CRI or dimensions

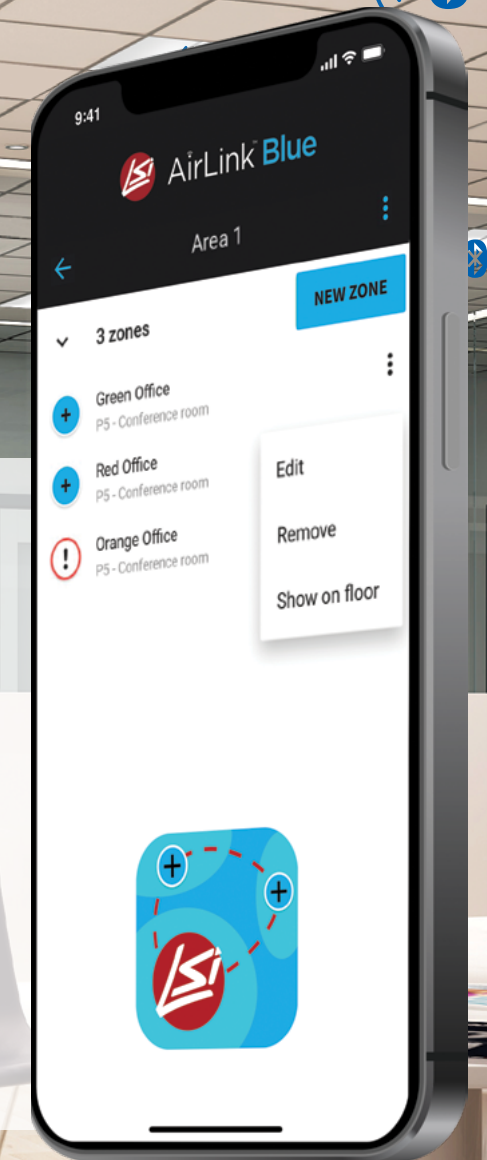
# CONTROLS



## AirLink™ Blue

With our exclusive AirLink Blue Controls, you can intuitively manage any lighting system right from your iPhone or Android device, from a handful of fixtures in a single location to a few hundred.

Easily integrated with any lighting project, AirLink Blue meets the most rigorous regulatory requirements, saving you time and money while enhancing safety and energy savings.



- Direct connect Bluetooth; no gateway required
- App based Bluetooth programming and control
- Wireless Bluetooth kinetic manual override devices
- External wireless Bluetooth control modules
- Cloud based remote access



LSIcorp.com | (800) 436-7800

