



Opulence Small Post Top (OPS)

Outdoor Decorative Post Top



OVERVIEW	
Lumen Package (lm)	3,000 - 14,000
Wattage Range (W)	20 - 100
Efficacy Range (LPW)	114 - 148
Weight lbs (kg)	25.0 (11.3)

QUICK LINKS

FEATURES & SPECIFICATIONS

Construction

- Rugged die-cast aluminum housing.
- Fixtures are finished with LSI's DuraGrip® polyester powder coat finishing process. The DuraGrip finish withstands extreme weather changes without cracking or peeling. Other standard LSI finishes available. Consult factory.

Optical System

- High density LED optical system delivers industry leading optical performance and visual comfort.
- 7 distribution types 3W, 4F, 5Q, 5C, 5R, 5D & AD
- Diffused lens version provides maximum visual comfort with reduced brightness and LED pixelization
- Available in 5000K, 4000K, 3500K, 3000K and 2700K color temperatures per ANSI C78.377. Also available in Phosphor Converted Amber with Peak intensity at 610nm.
- Minimum CRI of 80
- External Shield available for field installation (see accessory ordering information and dimensions for details).

Electrical

- High-performance driver features overvoltage, under-voltage, short-circuit and over temperature protection (6kV surge standard).
- 0-10V dimming driver (optional extended leads).

- Standard Universal Voltage (120-277 VAC) Input 50/60 Hz or optional High Voltage (347-480 VAC).
- Total harmonic distortion (THD): <20%
- Operating temperature: -40°C to +40°C (-40°F to +104°F).
- Power factor (PF): >.90
- Input power stays constant over life.
- Field replaceable 10kV surge protection device meets a minimum Category C Low operation (per ANSI/IEEE C62.41.2).
- Driver is fully encased in potting material for moisture resistance and complies with FCC standards. Driver and key electronic components can easily be accessed.

Controls

- Integral passive infrared Bluetooth™ motion and photocell sensor options. Fixtures operate independently and can be commissioned via an iOS or Android configuration app.
- LSI's AirLink™ Blue lighting control system is a simple feature rich wireless Bluetooth mesh network. The integrated fixture sensor module provides wireless control of grouped fixtures based on motion sensors, daylight or a fully customizable schedule. Updates and modifications to the control strategy are easily implemented via an intuitive iOS app.

Installation

- Designed to mount directly to a 2 3/8" - 3" outer diameter tenon (4" tall).
- Optional flush mount accessory slips inside the top of a 4" round pole for a virtually seamless transition from pole to luminaire.

Warranty

- LSI luminaires carry a 5-year limited warranty. Refer to <https://www.lsicorp.com/resources/terms-conditions-warranty/> for more information.

Listings

- Listed to UL 1598 and UL 8750.
- Meets Buy American Act requirements.
- IDA compliant; with 3000K and warmer color temperature selection.
- Title 24 Compliant; see local ordinance for qualification information.
- Suitable for wet locations.
- IP66 rated Luminaire per IEC 60598-1.
- 3G rated for ANSI C136.31 high vibration applications.
- DesignLights Consortium® (DLC) Premium qualified product. Not all versions of this product may be DLC Premium qualified. Please check the DLC Qualified Products List at www.designlights.org/QPL to confirm which versions are qualified.

Opulence Small Post Top (OPS) Outdoor Decorative Post Top

Type : _____

 **Have questions?** Call us at (800) 436-7800

ORDERING GUIDE

TYPICAL ORDER EXAMPLE: OPS PT 8L 5Q UNV 40K8 BLK ALBCS1							
Prefix	Mounting	Lumen Package ¹	Distribution	Voltage	Color Temperature / Rendering	Finish	Controls
OPS - Opulence Small	PT - Post Top (2.3/8" 3" Tennon)	3L - 3,000 Lumens 5L - 5,000 Lumens 6L - 6,000 Lumens 8L - 8,000 Lumens 10L - 10,000 Lumens 12L - 12,000 Lumens 14L - 14,000 Lumens	5Q - Type 5 Square 5C - Type 5 Concentrated 5R - Type 5 Rectangular 3W - Type 3 (Wide Throw) 4F - Type 4 (Forward Throw) 5D - Type 5 Diffused AD - Asymmetric Diffused	UNV - Universal Voltage (120-277V) HV - High Voltage (347-480V)	27K8 - 2700K / 80 CRI 30K8 - 3000K / 80 CRI 35K8 - 3500K / 80 CRI 40K8 - 4000K / 80 CRI 50K8 - 5000K / 80 CRI AMB - Phosphor Converted Amber ²	BLK - Black BRZ - Dark Bronze GMG - Gun Metal Gray GPT - Graphite MSV - Metallic Silver PLP - Platinum Plus WHT - White	Blank - None ALBCS1 - AirLink Blue Wireless Motion & Photo Sensor Controller (8-24' mounting height) ALBCS2 - AirLink Blue Wireless Motion & Photo Sensor Controller (25-40' mounting height) CR7P - 7 Pin Control Receptacle ANSI C136.41 ³ IMSBT1L - Integral Bluetooth™ Motion and Photocell Sensor (8 - 24' mounting height) ³ IMSBT2L - Integral Bluetooth™ Motion and Photocell Sensor (25 - 40' mounting height) ³ EXT - 0-10v Dimming leads extended to housing exterior



Need more information?
[Click here for our glossary.](#)

Have additional questions?
 Call us at (800) 436-7800



CONTROLS ACCESSORIES ORDERING INFORMATION⁴

Order Number	Description
122514	Twist Lock Photocell (120V) for use with CR7P
122515	Twist Lock Photocell (208-277) for use with CR7P
122516	Twist Lock Photocell (347V) for use with CR7P
1225180	Twist Lock Photocell (480V) for use with CR7P
661409	AirLink 5 Pin Twist Lock Controller
661410	AirLink 7 Pin Twist Lock Controller
149328	Shorting Cap for use with CR7P

FUSING ACCESSORIES ORDERING INFORMATION⁵

Order Number	Description
FK120	Single Fusing (120V)
FK277	Single Fusing (277V)
DFK347	Double Fusing (347V)
DFK480	Double Fusing (480V)

MOUNTING ACCESSORIES ORDERING INFORMATION⁶

Order Number ⁷	Description
764420CLR	Internal Flush Mount Adapter for 4" OD Round Pole
761587CLR	Post Top Wall Mount Bracket
761588CLR	D180 Post Top Arm Bracket
694638CLR	Internal Tenon Adapter for 4" Square Pole
694641CLR	Internal Tenon Adapter for 5" Square Pole
694642CLR	Internal Tenon Adapter for 6" Square Pole
483859CLR	Decorative Base Cover (4 / 5" Round Poles)
751632	10' Linear Bird Spike Kit (4' Recommended per Luminaire)
781340	EHS - External Shield (Black Finish Only)

1 120-277V Only. Not available with 14L Lumen Package.

2 Amber LEDs not available in 12L or 14L lumen packages

3 IMSBTxL is field configurable via the Leviton app that can be downloaded from your smartphone's app store.

4 Control device or shorting cap must be ordered separately. See Accessory Ordering Information.

5 Fusing must be located in hand hole of pole.

6 Accessories are shipped separately and field installed.

7 "CLR" to be replaced by paint finish selection. See Finish options for paint color selections.



Opulence Small Post Top (OPS) Outdoor Decorative Post Top

Type : _____

 Have questions? Call us at (800) 436-7800

PERFORMANCE

DELIVERED LUMENS (OPS PT)*																		
Lumen Package	Distribution	CRI	2700K CCT			3000K CCT			3500K CCT			4000K CCT			5000K CCT			Wattage
			Delivered Lumens	Efficacy	BUG Rating	Delivered Lumens	Efficacy	BUG Rating	Delivered Lumens	Efficacy	BUG Rating	Delivered Lumens	Efficacy	BUG Rating	Delivered Lumens	Efficacy	BUG Rating	
3L	5Q	80	2,739	135	B1-U2-G1	2,828	139	B1-U2-G1	2,781	137	B1-U2-G1	2,895	143	B1-U2-G1	2,933	145	B1-U2-G1	20
	5C		2,812	139	B1-U3-G1	2,903	143	B1-U3-G1	2,855	141	B1-U3-G1	2,972	146	B1-U3-G1	3,011	148	B1-U3-G1	
	5R		2,708	132	B1-U2-G1	2,796	138	B1-U2-G1	2,750	134	B1-U2-G1	2,862	141	B2-U2-G2	2,900	143	B2-U2-G2	
	4F		2,714	134	B1-U2-G1	2,802	138	B1-U2-G1	2,756	136	B1-U2-G1	2,869	141	B1-U2-G1	2,907	143	B1-U2-G1	
	3W		2,705	133	B1-U2-G1	2,793	138	B1-U2-G1	2,747	135	B1-U2-G1	2,859	141	B1-U2-G1	2,897	143	B1-U2-G1	
	5D		2,522	124	B1-U2-G1	2,604	128	B1-U2-G1	2,561	126	B1-U2-G1	2,665	131	B1-U2-G1	2,701	133	B1-U2-G1	
	AD		2,529	125	B1-U2-G1	2,611	129	B1-U2-G1	2,568	127	B1-U2-G1	2,672	132	B1-U2-G1	2,708	133	B1-U2-G1	
5L	5Q	80	4,525	131	B2-U3-G1	4,672	135	B2-U3-G1	4,595	133	B2-U3-G1	4,782	139	B2-U3-G1	4,845	140	B2-U3-G1	34
	5C		4,645	135	B2-U3-G1	4,796	139	B2-U3-G1	4,717	137	B2-U3-G1	4,909	142	B2-U3-G1	4,974	144	B2-U3-G1	
	5R		4,474	130	B2-U3-G2	4,619	134	B2-U3-G2	4,543	132	B2-U3-G2	4,728	137	B2-U3-G2	4,791	139	B2-U3-G2	
	4F		4,484	130	B1-U3-G1	4,630	134	B1-U3-G1	4,553	132	B1-U3-G1	4,739	137	B1-U3-G1	4,802	139	B1-U3-G1	
	3W		4,468	129	B1-U3-G1	4,614	134	B1-U3-G1	4,538	131	B1-U3-G1	4,723	137	B1-U3-G1	4,785	139	B1-U3-G1	
	5D		4,166	121	B2-U3-G1	4,301	125	B2-U3-G1	4,231	123	B2-U3-G1	4,403	128	B2-U3-G1	4,461	129	B2-U3-G1	
	AD		4,177	121	B1-U3-G1	4,313	125	B1-U3-G1	4,242	123	B1-U3-G1	4,415	128	B1-U3-G1	4,474	130	B1-U3-G1	
6L	5Q	80	5,362	132	B2-U3-G1	5,536	136	B2-U3-G1	5,445	134	B2-U3-G1	5,667	140	B2-U3-G1	5,742	141	B2-U3-G1	41
	5C		5,505	136	B2-U3-G1	5,684	140	B2-U3-G1	5,590	138	B2-U3-G1	5,818	143	B2-U3-G1	5,895	145	B2-U3-G1	
	5R		5,302	131	B2-U3-G2	5,474	135	B2-U3-G2	5,384	133	B2-U3-G2	5,603	138	B2-U3-G2	5,677	140	B2-U3-G2	
	4F		5,314	131	B1-U3-G1	5,486	135	B1-U3-G1	5,396	133	B1-U3-G1	5,616	138	B1-U3-G1	5,690	140	B1-U3-G1	
	3W		5,295	130	B2-U3-G1	5,467	135	B2-U3-G1	5,378	132	B2-U3-G1	5,597	138	B2-U3-G1	5,671	140	B2-U3-G1	
	5D		4,937	122	B2-U3-G1	5,097	126	B2-U3-G1	5,014	123	B2-U3-G1	5,218	129	B2-U3-G1	5,287	130	B2-U3-G1	
	AD		4,950	122	B2-U3-G1	5,111	126	B2-U3-G1	5,027	124	B2-U3-G1	5,232	129	B2-U3-G1	5,301	131	B2-U3-G1	
8L	5Q	80	7,185	130	B3-U3-G1	7,419	134	B3-U3-G1	7,297	132	B3-U3-G1	7,594	138	B3-U3-G1	7,695	139	B3-U3-G1	55
	5C		7,376	134	B2-U3-G1	7,616	138	B2-U3-G1	7,491	136	B2-U3-G1	7,796	141	B3-U3-G1	7,899	143	B3-U3-G1	
	5R		7,104	129	B3-U3-G3	7,335	133	B3-U3-G3	7,214	131	B3-U3-G3	7,508	136	B3-U3-G3	7,608	138	B3-U3-G3	
	4F		7,120	129	B2-U3-G1	7,352	133	B2-U3-G1	7,231	131	B2-U3-G1	7,525	136	B2-U3-G1	7,625	138	B2-U3-G1	
	3W		7,096	129	B2-U3-G2	7,326	133	B2-U3-G2	7,206	131	B2-U3-G2	7,499	136	B2-U3-G2	7,599	138	B2-U3-G2	
	5D		6,616	120	B2-U3-G1	6,831	124	B2-U3-G1	6,718	122	B2-U3-G1	6,992	127	B2-U3-G1	7,085	128	B2-U3-G1	
	AD		6,634	120	B2-U3-G2	6,849	124	B2-U3-G2	6,736	122	B2-U3-G2	7,011	127	B2-U3-G2	7,104	129	B2-U3-G2	
10L	5Q	80	9,061	128	B3-U3-G1	9,355	132	B3-U3-G1	9,201	130	B3-U3-G1	9,576	136	B3-U3-G1	9,703	137	B3-U3-G1	70
	5C		9,302	132	B3-U3-G1	9,604	136	B3-U3-G1	9,446	134	B3-U3-G1	9,831	139	B3-U3-G1	9,961	141	B3-U3-G1	
	5R		8,959	127	B3-U3-G3	9,250	131	B3-U3-G3	9,097	129	B3-U3-G3	9,468	134	B3-U3-G3	9,594	136	B3-U3-G3	
	4F		8,979	127	B2-U3-G2	9,271	131	B2-U3-G2	9,118	129	B2-U3-G2	9,490	134	B2-U3-G2	9,616	136	B2-U3-G2	
	3W		8,948	127	B2-U3-G2	9,239	131	B2-U3-G2	9,087	129	B2-U3-G2	9,457	134	B2-U3-G2	9,583	136	B2-U3-G2	
	5D		8,343	118	B3-U3-G2	8,614	122	B3-U3-G2	8,472	120	B3-U3-G2	8,817	125	B3-U3-G2	8,934	126	B3-U3-G2	
	AD		8,365	118	B2-U3-G2	8,637	122	B2-U3-G2	8,495	120	B2-U3-G2	8,841	125	B2-U3-G2	8,958	127	B2-U3-G2	
12L	5Q	80	10,801	126	B3-U3-G1	11,152	130	B3-U3-G1	10,968	128	B3-U3-G1	11,415	134	B3-U3-G1	11,566	135	B3-U3-G1	85
	5C		11,088	130	B3-U3-G1	11,448	134	B3-U3-G1	11,260	132	B3-U3-G1	11,718	137	B3-U3-G1	11,874	139	B3-U3-G1	
	5R		10,679	125	B3-U3-G3	11,026	129	B3-U3-G3	10,844	127	B3-U3-G3	11,286	132	B3-U3-G3	11,436	134	B3-U3-G3	
	4F		10,703	125	B2-U3-G2	11,051	129	B2-U3-G2	10,869	127	B2-U3-G2	11,312	132	B2-U3-G2	11,462	134	B2-U3-G2	
	3W		10,666	125	B2-U3-G2	11,013	129	B2-U3-G2	10,832	127	B2-U3-G2	11,273	132	B2-U3-G2	11,423	134	B2-U3-G2	
	5D		9,945	116	B3-U3-G2	10,268	120	B3-U3-G2	10,099	118	B3-U3-G2	10,510	123	B3-U3-G2	10,650	125	B3-U3-G2	
	AD		9,972	117	B2-U3-G2	10,296	120	B2-U3-G2	10,126	118	B2-U3-G2	10,539	123	B2-U3-G2	10,679	125	B2-U3-G2	
14L	5Q	80	12,487	124	B3-U3-G2	12,893	128	B3-U3-G2	12,681	126	B3-U3-G2	13,197	131	B3-U3-G2	13,372	133	B3-U3-G2	100
	5C		12,819	128	B3-U3-G1	13,236	132	B3-U3-G1	13,018	130	B3-U3-G1	13,548	135	B3-U3-G1	13,728	137	B3-U3-G1	
	5R		12,346	123	B3-U3-G3	12,747	127	B3-U3-G3	12,537	125	B3-U3-G3	13,048	130	B3-U3-G3	13,221	132	B3-U3-G3	
	4F		12,374	123	B2-U3-G2	12,776	127	B2-U3-G2	12,566	125	B2-U3-G2	13,078	130	B2-U3-G2	13,252	132	B2-U3-G2	
	3W		12,332	123	B2-U3-G2	12,732	127	B3-U3-G3	12,523	125	B3-U3-G3	13,033	130	B3-U3-G3	13,206	132	B3-U3-G3	
	5D		11,497	114	B3-U3-G2	11,871	118	B3-U3-G2	11,675	116	B3-U3-G2	12,151	121	B3-U3-G2	12,312	123	B3-U3-G2	
	AD		11,528	114	B2-U3-G2	11,903	118	B2-U3-G2	11,707	116	B2-U3-G2	12,184	121	B2-U3-G2	12,346	123	B3-U3-G2	

Note: LED Chips are frequently updated therefore values are nominal.

Opulence Small Post Top (OPS) Outdoor Decorative Post Top

Type : _____

 Have questions? Call us at (800) 436-7800

PERFORMANCE

Delivered Lumens - PC Amber						
Lumen Package	Distribution	CRI	PC Amber			Wattage
			Delivered Lumens	Efficacy	BUG Rating	
3L	5Q	80	1,966	89	B1-U2-G1	22
	5C		2,019	92	B1-U3-G1	
	5R		1,943	88	B1-U2-G1	
	4F		1,917	87	B1-U2-G1	
	3W		1,881	86	B1-U2-G1	
	5D		1,810	82	B1-U2-G1	
	AD		1,814	82	B1-U2-G1	
5L	5Q	80	3,177	88	B2-U3-G1	36
	5C		3,261	91	B2-U3-G1	
	5R		3,141	87	B2-U3-G2	
	4F		3,098	86	B1-U3-G1	
	3W		3,041	84	B1-U3-G1	
	5D		2,925	81	B2-U3-G1	
	AD		2,933	81	B1-U3-G1	
6L	5Q	80	3,650	85	B2-U3-G1	43
	5C		3,747	87	B2-U3-G1	
	5R		3,608	84	B2-U3-G2	
	4F		3,559	83	B1-U3-G1	
	3W		3,494	81	B2-U3-G1	
	5D		3,360	78	B2-U3-G1	
	AD		3,369	78	B2-U3-G1	
8L	5Q	80	4,934	84	B3-U3-G1	59
	5C		5,065	86	B2-U3-G1	
	5R		4,878	83	B3-U3-G3	
	4F		4,811	82	B2-U3-G1	
	3W		4,724	80	B2-U3-G2	
	5D		4,543	77	B2-U3-G1	
	AD		4,555	77	B2-U3-G2	
10L	5Q	80	6,016	81	B3-U3-G1	74
	5C		6,176	83	B3-U3-G1	
	5R		5,948	80	B3-U3-G3	
	4F		5,866	79	B2-U3-G2	
	3W		5,759	78	B2-U3-G2	
	5D		5,539	75	B3-U3-G2	
	AD		5,554	75	B2-U3-G2	

Note: LED Chips are frequently updated therefore values are nominal.

Opulence Small Post Top (OPS) Outdoor Decorative Post Top

Type : _____

 Have questions? Call us at (800) 436-7800

PERFORMANCE

Electrical Data (Amps) ¹							
Lumen Package	Wattage	120V	208V	240V	277V	347V	480V
3L	20	0.17	0.1	0.08	0.07	0.06	0.04
5L	34	0.29	0.16	0.14	0.12	0.1	0.07
6L	41	0.35	0.2	0.17	0.15	0.12	0.09
8L	55	0.46	0.26	0.23	0.2	0.16	0.11
10L	70	0.59	0.34	0.29	0.25	0.2	0.15
12L	85	0.84	0.48	0.42	0.36	0.29	0.21
14L	100	0.84	0.48	0.42	0.36	0.29	0.21

Electrical Data (Amps) PC Amber ¹							
Lumen Package	Wattage	120V	208V	240V	277V	347V	480V
3L	22	0.18	0.11	0.09	0.08	0.06	0.05
5L	36	0.30	0.17	0.15	0.13	0.10	0.08
6L	43	0.36	0.21	0.18	0.16	0.12	0.09
8L	59	0.49	0.28	0.25	0.21	0.17	0.12
10L	74	0.62	0.36	0.31	0.27	0.21	0.15

Recommended Lumen Maintenance - OPS PT 10L ²					
Ambient Temperature °C	Initial ³	25K hrs. ³	50K hrs. ³	75K hrs. ⁴	100K hrs. ⁴
0-40	102%	99%	96%	93%	90%

¹ Electrical data at 25C (77F). Actual wattage may differ by +/-10%.

² Lumen maintenance values are calculated per TM-21 based on LM-80 data and in-situ luminaire testing.

³ In accordance with IESNA TM-21-11, Projected Values represent interpolated value based on time durations that are within six times (6X) the IESNA LM-80-08 total test duration (in hours) for the device under testing (DUT) i.e. the packaged LED chip).

⁴ In accordance with IESNA TM-21-11, Calculated Values represent time durations that exceed six times NA LM-80-08 total test duration (in hours) for the device under testing (DUT) i.e. the packaged LED chip).

Opulence Small Post Top (OPS) Outdoor Decorative Post Top

Type: _____

 Have questions? Call us at (800) 436-7800

PHOTOMETRICS

Luminaire photometry has been conducted by a NVLAP accredited testing laboratory in accordance with IESNA LM-79-08. As specified by IESNA LM-79-08 the entire luminaire is tested as the source resulting in a luminaire efficiency of 100%.

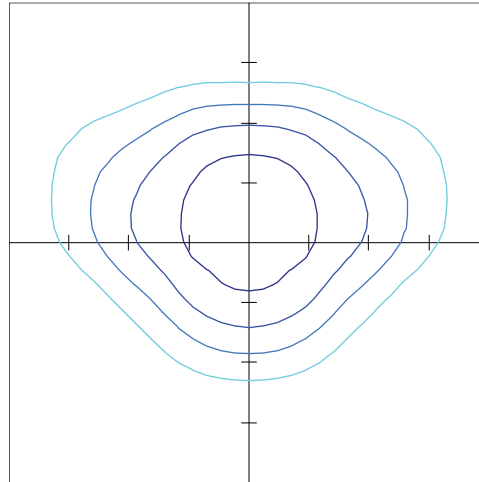
See the individual product page on <https://www.lsicorp.com/> for detailed photometric data.

OPS-PT-14L-3W-40K8

Luminaire Data	
Wide Distribution	
Description	4000 Kelvin, 80 CRI
Delivered Lumens	12,634
Watts	100
Efficacy	126
IES Type	Type III - Very Short
BUG Rating	B3-U0-G1

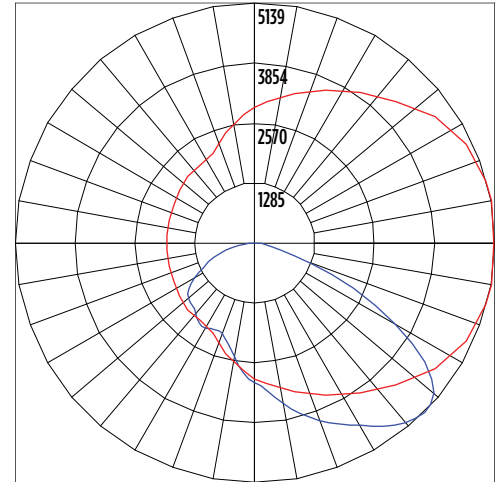
Zonal Lumen Summary		
Zone	Lumens	% Luminaire
Low (0-30°)	2,005	16%
Medium (30-60°)	6,474	51%
High (60-80°)	3,555	28%
Very High (80-90°)	302	2%
Uplight (90-180°)	298.2	2%
Total Flux	12,634	100%

ISO Footcandle



15' Mounting Height / 15' Grid Spacing
 5 FC 2 FC 1 FC 0.5 FC

Polar Curve



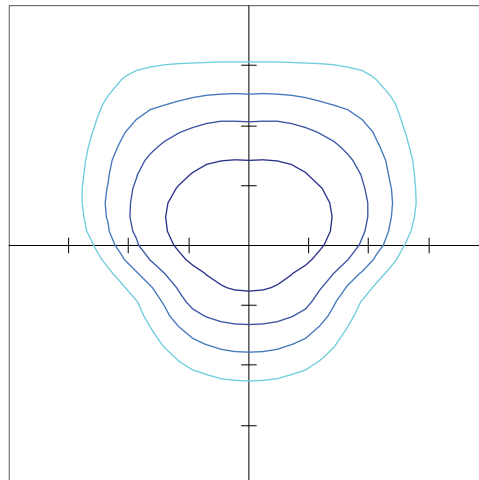
Vertical Plane Horizontal Cone

OPS-PT-14L-4F-40K8

Luminaire Data	
Wide Distribution	
Description	4000 Kelvin, 80 CRI
Delivered Lumens	12,868
Watts	100
Efficacy	129
IES Type	Type IV - Very Short
BUG Rating	B2-U3-G2

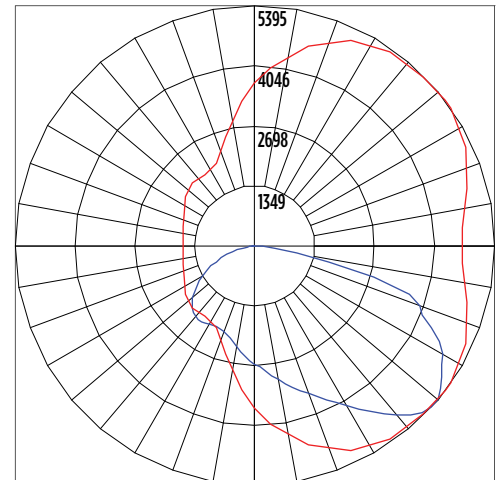
Zonal Lumen Summary		
Zone	Lumens	% Luminaire
Low (0-30°)	2,329	15%
Medium (30-60°)	10,634	55%
High (60-80°)	5,246	26%
Very High (80-90°)	208	2%
Uplight (90-180°)	0	2%
Total Flux	18,417	100%

ISO Footcandle



15' Mounting Height / 15' Grid Spacing
 5 FC 2 FC 1 FC 0.5 FC

Polar Curve



Vertical Plane Horizontal Cone

Opulence Small Post Top (OPS) Outdoor Decorative Post Top

Type : _____

 Have questions? Call us at (800) 436-7800

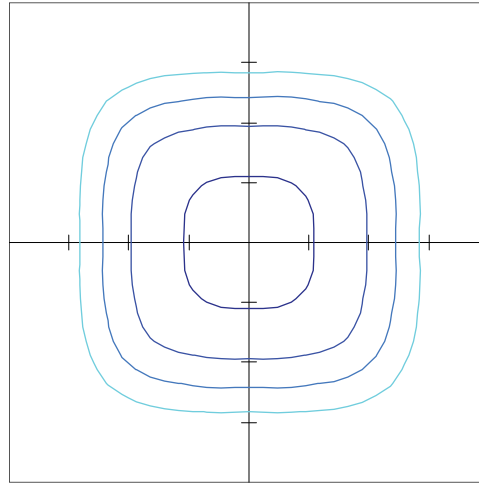
PHOTOMETRICS

OPS-PT-14L-5Q-40K8

Luminaire Data	
Wide Distribution	
Description	4000 Kelvin, 80 CRI
Delivered Lumens	13,197
Watts	100
Efficacy	132
IES Type	Type VS - Short
BUG Rating	B3-U3-G2

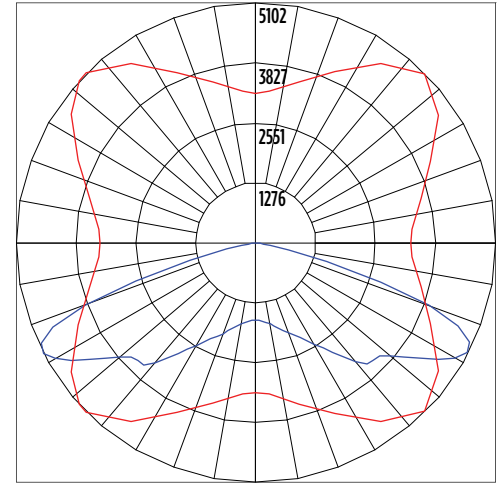
Zonal Lumen Summary		
Zone	Lumens	% Luminaire
Low (0-30°)	1,472	11%
Medium (30-60°)	7,284	55%
High (60-80°)	3,972	30%
Very High (80-90°)	183	1%
Uplight (90-180°)	286	2%
Total Flux	13,198	100%

ISO Footcandle



15' Mounting Height / 15' Grid Spacing
 5 FC 2 FC 1 FC 0.5 FC

Polar Curve



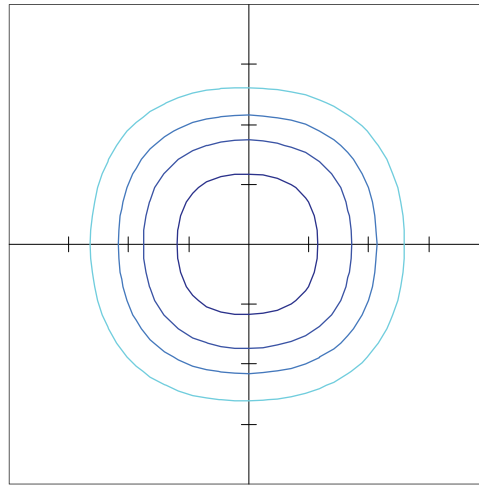
Vertical Plane Horizontal Cone

OPS-PT-14L-5D-40K8

Luminaire Data	
Wide Distribution	
Description	4000 Kelvin, 80 CRI
Delivered Lumens	12,151
Watts	100
Efficacy	122
IES Type	Type VS - Very Short
BUG Rating	B3-U3-G2

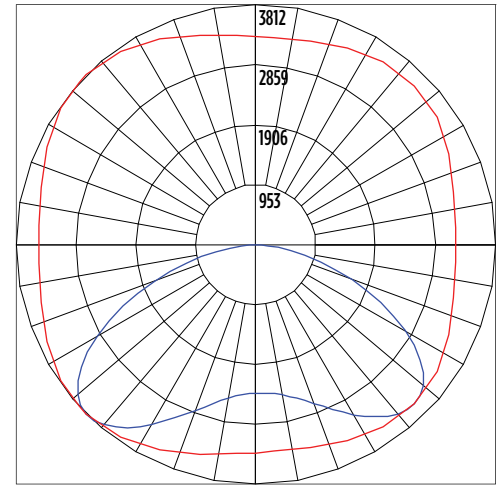
Zonal Lumen Summary		
Zone	Lumens	% Luminaire
Low (0-30°)	1,817	15%
Medium (30-60°)	6,781	56%
High (60-80°)	2,960	24%
Very High (80-90°)	304	3%
Uplight (90-180°)	289	2%
Total Flux	12,151	100%

ISO Footcandle



15' Mounting Height / 15' Grid Spacing
 5 FC 2 FC 1 FC 0.5 FC

Polar Curve



Vertical Plane Horizontal Cone

Opulence Small Post Top (OPS) Outdoor Decorative Post Top

Type: _____

 Have questions? Call us at (800) 436-7800

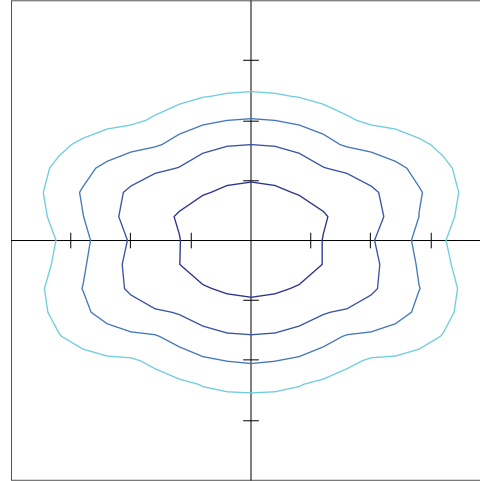
PHOTOMETRICS

OPS-PT-14L-5R-40K8

Luminaire Data	
Wide Distribution	
Description	4,000 Kelvin, 80 CRI
Delivered Lumens	13,197
Watts	100
Efficacy	132
IES Type	Type VS - Short
BUG Rating	B3-U3-G2

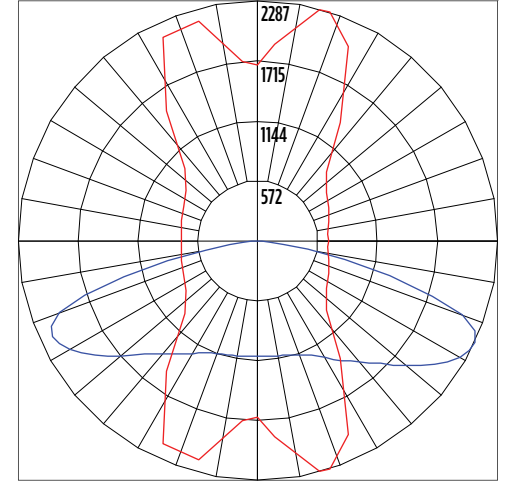
Zonal Lumen Summary		
Zone	Lumens	% Luminaire
Low (0-30°)	1,472	11%
Medium (30-60°)	7,284	55%
High (60-80°)	3,972	30%
Very High (80-90°)	183	1%
Uplight (90-180°)	286	2%
Total Flux	13,198	100%

ISO Footcandle



10' Mounting Height / 10' Grid Spacing
 5 FC 2 FC 1 FC 0.5 FC

Polar Curve



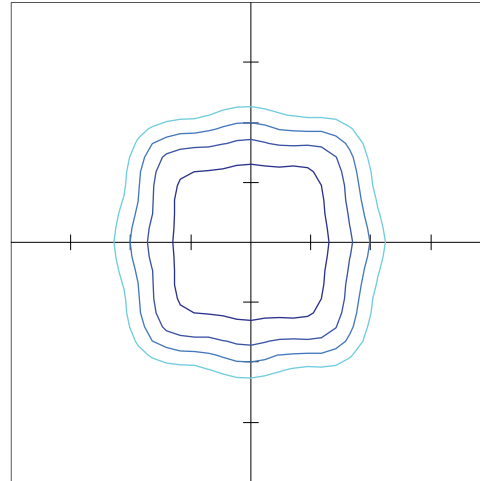
Vertical Plane Horizontal Cone

OPS-PT-14L-5C-40K8

Luminaire Data	
Wide Distribution	
Description	4000 Kelvin, 80 CRI
Delivered Lumens	13,548
Watts	100
Efficacy	135
IES Type	Type VS - Very Short
BUG Rating	B3-U3-G1

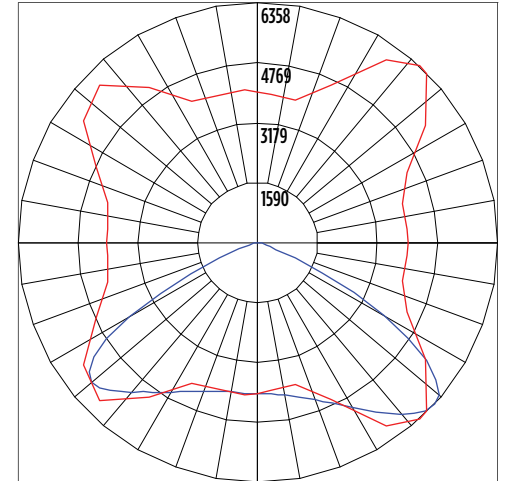
Zonal Lumen Summary		
Zone	Lumens	% Luminaire
Low (0-30°)	2,771	9%
Medium (30-60°)	8,838	43%
High (60-80°)	1,415	48%
Very High (80-90°)	146	1%
Uplight (90-180°)	379	0%
Total Flux	13,548	100%

ISO Footcandle



10' Mounting Height / 10' Grid Spacing
 5 FC 2 FC 1 FC 0.5 FC

Polar Curve



Vertical Plane Horizontal Cone

Opulence Small Post Top (OPS) Outdoor Decorative Post Top

Type: _____

 Have questions? Call us at (800) 436-7800

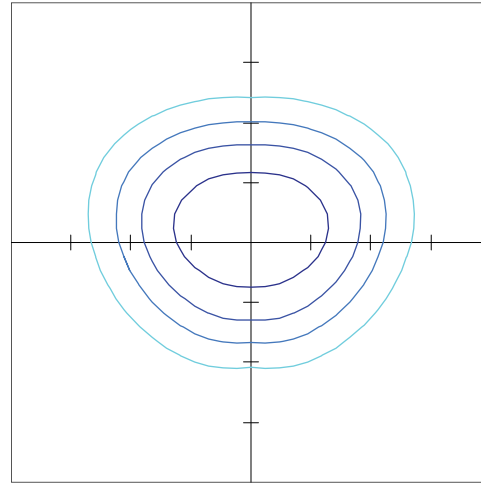
PHOTOMETRICS

OPS-PT-14L-AD-40K8

Luminaire Data	
Wide Distribution	
Description	4000 Kelvin, 80 CRI
Delivered Lumens	12,184
Watts	100
Efficacy	122
IES Type	Type II - Very Short
BUG Rating	B3-U3-G2

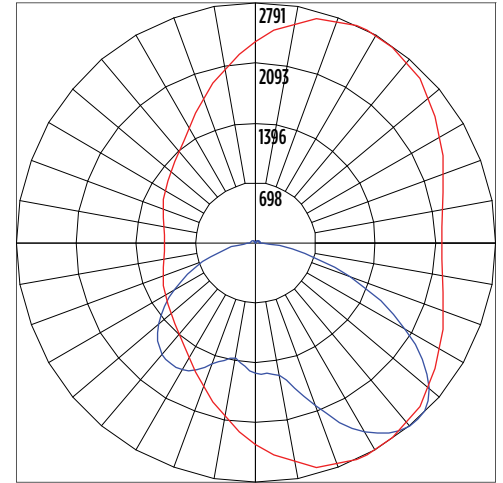
Zonal Lumen Summary		
Zone	Lumens	% Luminaire
Low (0-30°)	2,376	9%
Medium (30-60°)	6,708	43%
High (60-80°)	2,522	48%
Very High (80-90°)	265	1%
Uplight (90-180°)	314	0%
Total Flux	12,184	100%

ISO Footcandle



15' Mounting Height / 15' Grid Spacing
 5 FC 2 FC 1 FC 0.5 FC

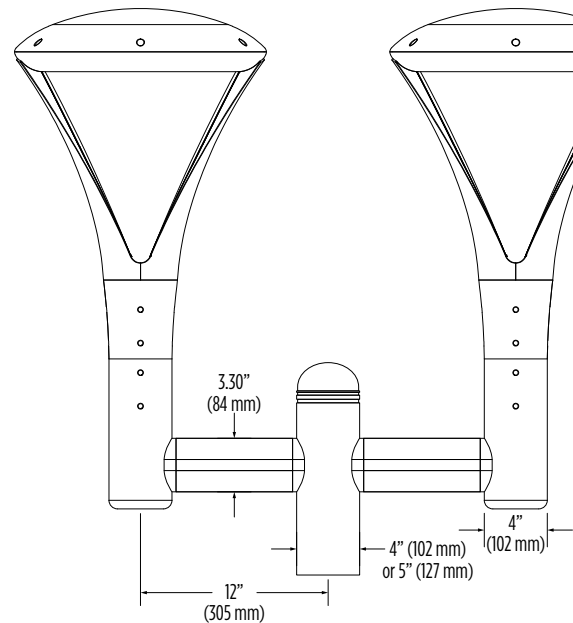
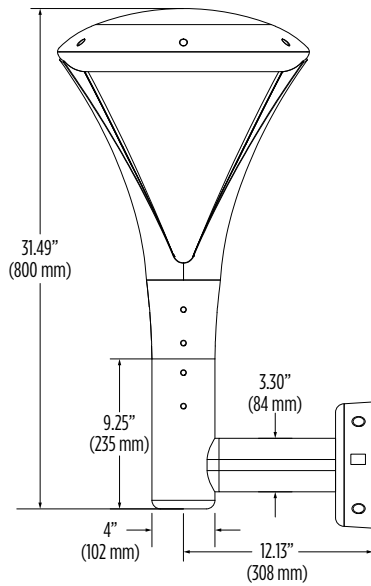
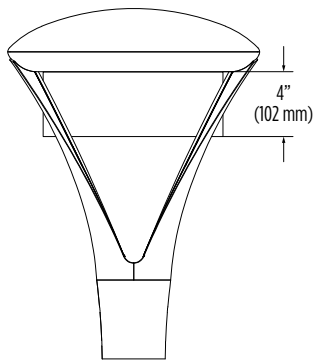
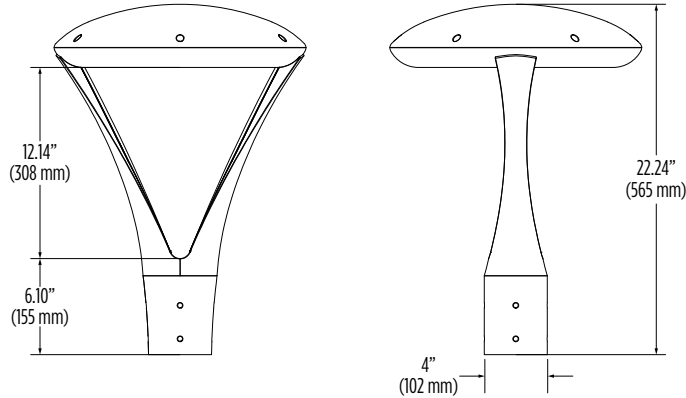
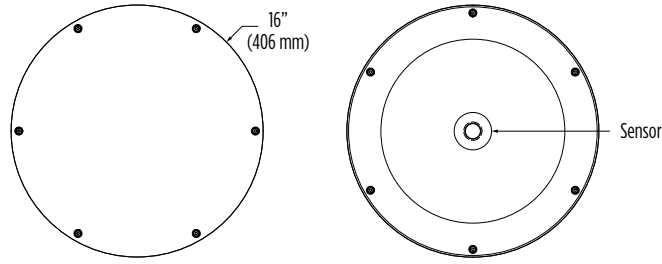
Polar Curve



Vertical Plane Horizontal Cone

PRODUCT DIMENSIONS

Opulence Small Post Top (OPS PT)



External Shield

Luminaire EPA Chart - OPS PT		
Configuration	PT Single	PT D180°
EPA	0.75	1.75

Post Top Wall Mount Bracket

1.5G rated Wall Mount Arm mounts to standard 4" steel J-Box (Supplied by others) and is provided with masonry anchors for extra support.

D180 Post Top Arm Bracket

Optional D180 1.5G rated Arm Assembly Mounts to 4" Pole (D180 B3 Bolt-on). Consult factory for alternate configurations. Pole cap accessory not included.

Opulence Small Post Top (OPS) Outdoor Decorative Post Top

Type : _____

 Have questions? Call us at (800) 436-7800

CONTROLS

Integral Bluetooth™ Motion and Photocell Sensor (IMSBTxL)

Slim low profile sensor provides multi-level control based on motion and/or daylight. Sensor controls 0-10 VDC LED drivers and is IP66 rated for cold and wet locations (-40°F to 167°F). Two unique PIR lenses are available and used based on fixture mounting height. All control parameters are adjustable via an iOS or Android App capable of storing and transmitting sensor profiles.

[Click here to learn more details about IMSBT](#)



LEVITON App



Apple



Android

AirLink Blue (ALBCSx)

Wireless Bluetooth Mesh Outdoor Lighting Control System that provides energy savings, code compliance and enhanced safety/security for parking lots and parking garages. Three key components; Bluetooth wireless radio/sensor controller, Time Keeper and an iOS App. Capable of grouping multiple fixtures and sensors as well as scheduling time-based events by zone. Radio/Sensor Controller is factory integrated into Area/Site, Wall Mounted, Parking Garage and Canopy luminaires.

[Click here to learn more details about AirLink Blue](#)



AirLink Blue App



Apple

Sensor Sequence of Operations

Standard Programming	On Event	Off Event	On Light Level	Dim Light Level	Daylight Harvesting	Delay To Off	Sensitivity
IMSBTxL	Motion	No Motion	100%	N/A	On; Auto Calibration	20 minutes	High

Operation	Description
On Event	Trigger that activates lights to turn on; either automatic via motion detected or manually activated via push of button.
Off Event	Trigger that activates lights to turn off; either automatic via no motion detected or manually activated via push of button.
On Light Level	The light level that the fixtures will turn on to when ON EVENT occurs.
Dim Light Level	The light level that the fixtures will dim down to when no motion is detected.
Delay to Dim	The amount of time after which no motion is detected that the fixtures will be triggered to dim down. This sequence is optional, and sensor can be programmed to only trigger the fixture to turn off by entering 100% in this field.
Delay to Off	The amount of time after which no motion is detected that the fixtures will be triggered to turn off. If delay to dim is part of the programmed functionality, this is the amount of time after which no motion is detected after the fixture have already dimmed down.
Sensitivity	The sensitivity can be set to high, medium, low, or auto where applicable. High will detect smaller, simple motions. Low will only detect larger more complex motions. Auto temperature calibration adjusts the PIR sensitivity as ambient temperature rises to increase detection of heat movement through the field of view.

POLES & BRACKETS

LSI offers a full line of poles and mounting accessories to complete your lighting assembly. Aluminum and steel in both square and round shafts. In addition, LSI offers round tapered, fluted and hinge based poles. Designed and engineered for durability and protected with our oven baked DuraGrip Protection System. Also available with our DuraGrip+ Protection system for unmatched corrosion resistance and an extended warranty. American made in our Ohio facility with industry leading lead times.

[Click here to learn more details about poles & brackets](#)



Internal Flush Mount Adaptor 4" Round Straight Pole

Optional flush mount accessory slips inside the top of a 4" round pole for a virtually seamless transition from pole to luminaire. Painted with LSI - Duragrip paint for unmatched corrosion resistance.



Square Internal Tenon Adaptor

The Square Pole Tenon 4", 5", & 6" adaptors allow for the Opulence Post Top to be mounted on a square open top steel pole. Tenon adaptors slice into pole and bolt through the securing the tenon to the pole. These tenons are made hearty steel tubing, are double-welded and are painted with LSI Duragrip paint. Shipped with mounting hardware assembled.



Round External Tenon Adaptor

The Round Pole Top Tenon adaptors provide the right size tenon to ensure proper mounting of the Opulence Post Top on the Round tapered or straight poles. These tenons are made from heavy steel tubing, are double-welded, and are painted with LSI Duragrip paint. Shipped with mounting hardware assembled.



Spun Aluminum Collar Round Straight Pole

Optional one-piece spun aluminum collar for 4" or 5" diameter straight round poles. Features durable, high quality construction with aesthetically pleasing design that slips over the pole for increased theft deterrent.



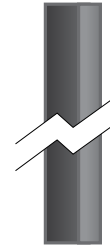
Contemporary Base Cover Tapered Pole

Optional contemporary base cover is cast from 356 alloy aluminum and provided with an access door. Available with 10' - 18' round taper pole shafts. The complete assembly is heat-treated to a T6 temper.



Decorative Base Cover Round Straight Pole

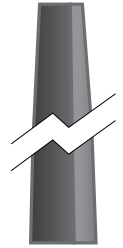
Optional decorative base cover has a two-piece die cast construction with stainless steel fasteners. Base cover is polyester powder coated to match pole. GBC base cover fits 4" and 5" diameter straight round poles. Includes 4" round pole adaptor molded from black silicone rubber.



Square Pole
14'-30'



Round Pole
10'-30'



Tapered Pole
10'-30'