

Installation and Assembly Instructions ALI (2LED) Series



⚠️ WARNING

Risk of fire, electric shock, injury or property damage

Risk of electric shock--Disconnect power to equipment before installing or servicing.
This equipment must be installed according to all applicable codes & ordinances.
Installation and service of this equipment must be performed by qualified service personnel.
Do not install damaged equipment.
Read these instructions before installing, servicing or maintaining this equipment.
Save these instructions for maintaining and servicing.

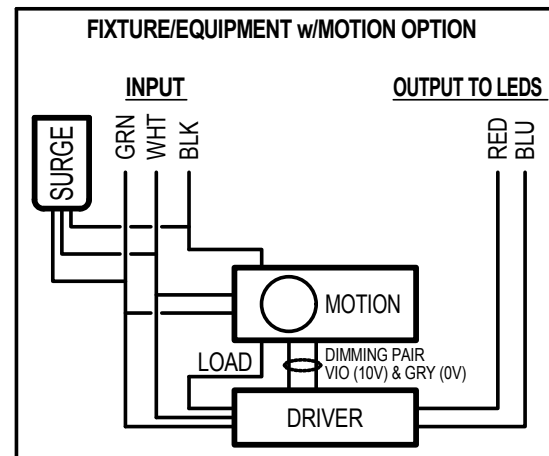
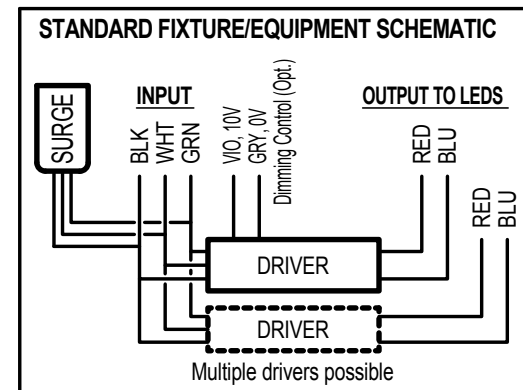
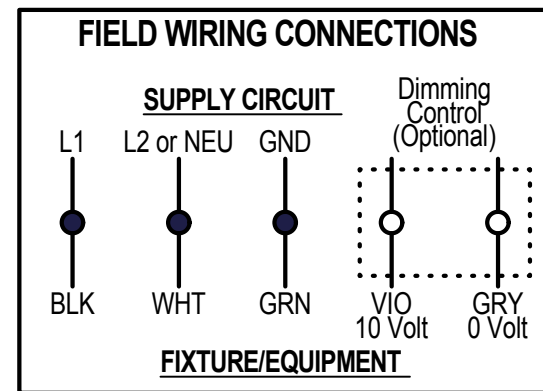
⚠️ CAUTION

Failure to follow instructions or altering equipment could result in damage and void warranty.
Edges may cut--wear gloves while handling or servicing this equipment.
Inspect equipment for damage from shipping and handling.

LUMINAIRE PREPARATION

1. Remove the luminaire from the carton and inspect luminaire for damage. Do not install a damaged luminaire.
2. Identify which model has been ordered and determine mounting method for appropriate mounting instructions below.

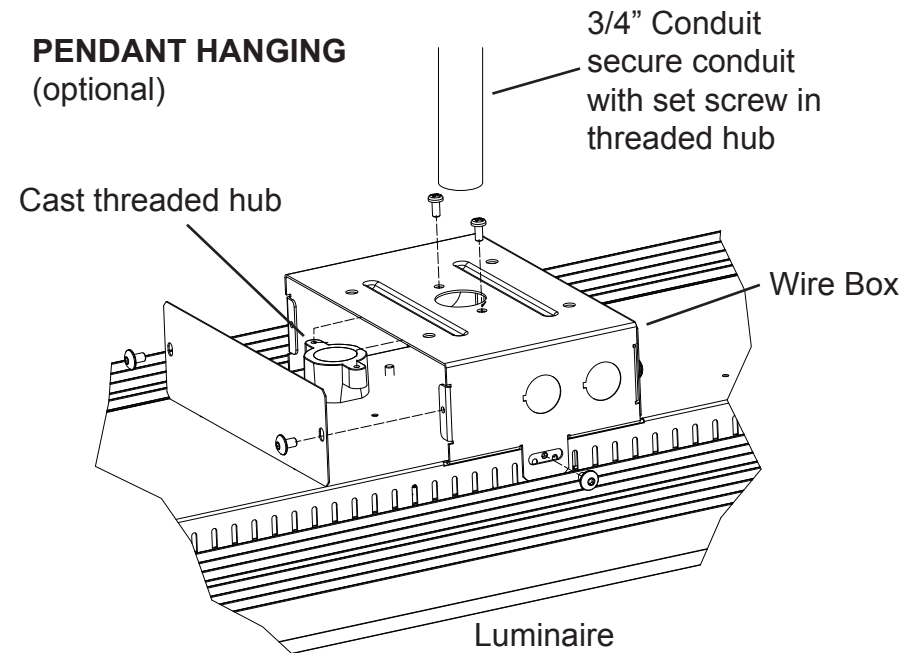
WIRING INFORMATION



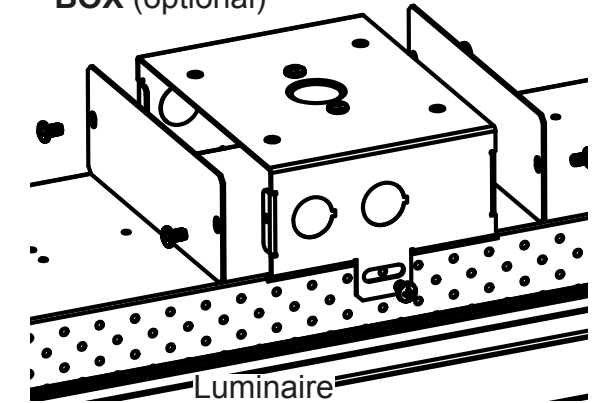
Integral Bluetooth Motion and Photocell Sensor Option – IMSBT
The sensor configuration app is available for both iOS and Android devices. Search the APP Store for LSI sensor configuration and download. It is used to set up a password, change default settings and testing. If no password is set within 7 days of the sensor being powered up it will need to be reset. For complete details download the LSI Sensor Config App User Guide <https://www.lsi-industries.com>

Installation and Assembly Instructions ALI (2LED) Series

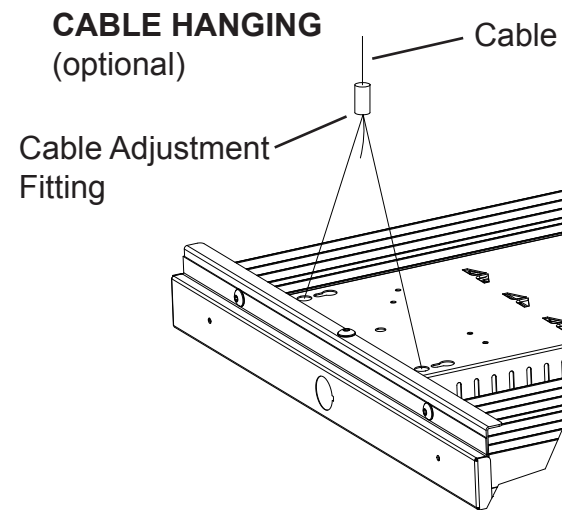
PENDANT HANGING (optional)



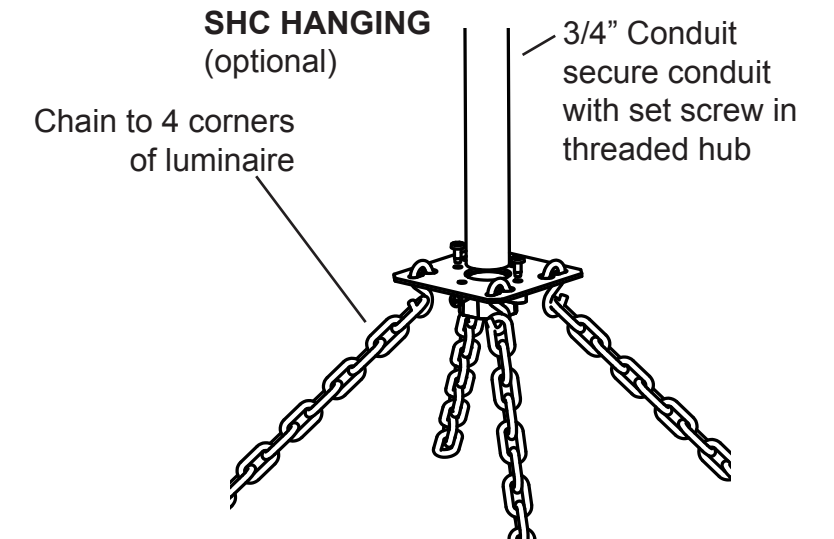
SURFACE MOUNT BOX (optional)



CABLE HANGING (optional)



SHC HANGING (optional)



Installation Questions
Call LSI Field Service Dept.
800-436-7800 Fax 877-861-1368