

POLE BRACKETS AND ACCESSORIES

LSI GREENLEE LED LIFESTYLE BRACKETS

BRACKETS - Brackets are extruded and cast aluminum assemblies or fabrications. All decorative elements are die cast or extruded aluminum.

FINISH - Finished with LSI's DuraGrip® polyester powder coat finishing process. The DuraGrip finish withstands extreme weather changes without cracking or peeling, and is guaranteed for five full years. Standard colors include bronze, black, platinum plus, white, satin verde green, metallic silver, and graphite.

TYPICAL ORDER EXAMPLE: **XDLS BK CH S BRZ**

On any mounting style, order one bracket per pole. Choose the configuration required and the correct brackets/arms will be supplied.

Lifestyle Pole Brackets				
Series/Bracket	Mounting Style	Pole Diameter	Configuration	Bracket Finish
XDLS/XDLM BK - Lifestyle Bracket	CH - Classic Hook ¹	*	S - Single D180° - Double	BRZ - Bronze BLK - Black PLP - Platinum Plus WHT - White SVG - Satin Verde Green GPT - Graphite MSV - Metallic Silver
	SA - Side Arm ²	4 - 4" Round 5 - 5" Round	S - Single D180° - Double D90° - Double T90° - Triple T120° - Triple Q90° - Quad W - Wall Mount ³	

XDLS Pendant Mount Brackets		Stem Length	Bracket Finish
Series/Bracket			
XDLS BK PM - Lifestyle Small Pendant Mount Bracket		6"	BRZ - Bronze
		12"	BLK - Black
		18"	PLP - Platinum Plus
		24"	WHT - White
		30"	SVG - Satin Verde Green
		36"	GPT - Graphite
	48"	MSV - Metallic Silver	

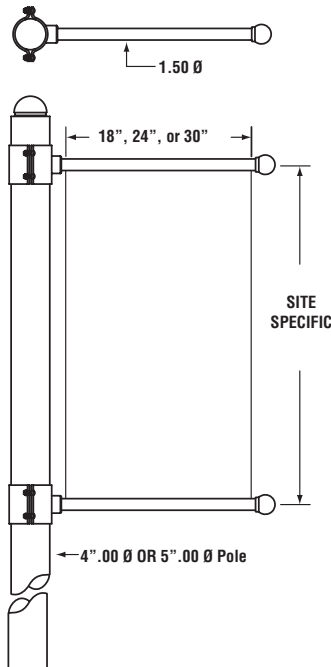
FOOTNOTES:

- 1- Pole diameter is not required in description. Slipfits 4" diameter tenon (4N) or pole.
- 2- Pole diameter is required. Use with 3" reduced drilling pattern.
- 3- Pole diameter not required in description.

TYPICAL ORDER EXAMPLE: **GBC 4 5 BLK**

Style	Pole Diameter	Finish
GBC - Decorative Base Cover	4 5	BRZ - Bronze BLK - Black PLP - Platinum Plus WHT - White SVG - Satin Verde Green GPT - Graphite MSV - Metallic Silver

LSI GREENLEE POLE BANNER BRACKETS - FOR USE WITH STEEL ROUND POLES



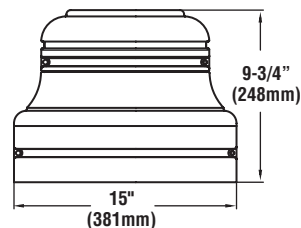
Special EPA calculations are required on banner bracket applications, consult factory.

TYPICAL ORDER EXAMPLE: **BBKS 4R S 24 BLK**

Bracket	Size	Style	Arm Length	Finish
BBKS - Banner Bracket (set of 2)	4R - For 4" Dia. Round Pole	S - Single Arm	18 - 18"	BRZ - Bronze
	5R - For 5" Dia. Round Pole	D - D180 Double Arm	24 - 24" 30 - 30"	BLK - Black PLP - Platinum Plus WHT - White SVG - Satin Verde Green GPT - Graphite MSV - Metallic Silver

DECORATIVE BASE COVER - Optional decorative base covers have two-piece die cast construction with stainless steel fasteners. Base covers are polyester powder coated to match pole. GBC base cover fits 4" and 5" diameter straight round poles. Includes 4" round pole adaptor molded from black silicone rubber.

inner not required in description.



GBC 4 5

ARRA
Funding Compliant

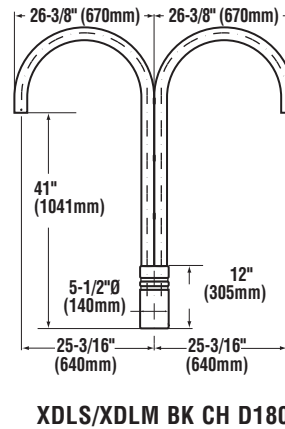
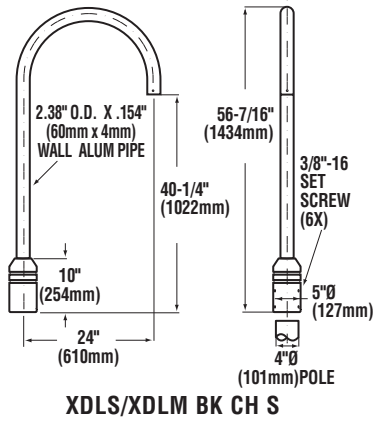


Project Name _____ Fixture Type _____
Catalog # _____

12/18/20

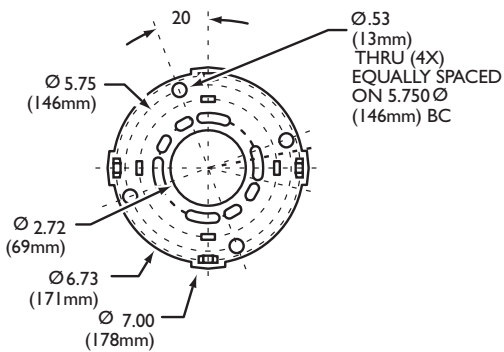
© 2020
LSI INDUSTRIES INC.

LED LIFESTYLE BRACKETS AND MOUNTS

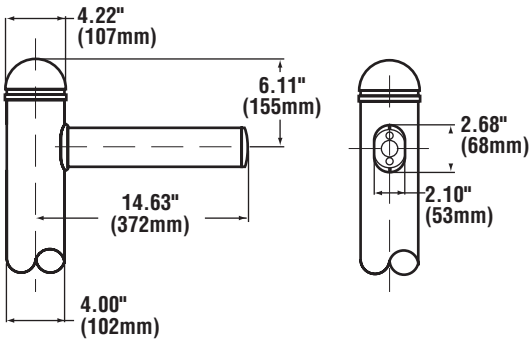


XDLs SMALL WALL MOUNT PLATE DETAIL

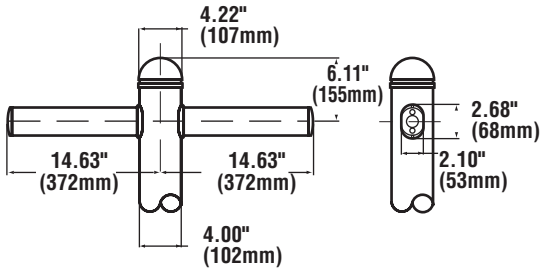
IMPORTANT: FIXTURE WEIGHT UP TO 60 POUNDS REQUIRES METALLIC ANCHORING DEVICES.
ANCHORS MUST ACCEPT 3/8 - 16 x 1.25 BOLTS OR STUDS.



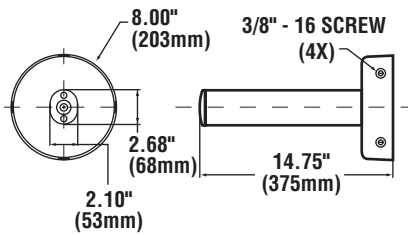
LED LIFESTYLE BRACKETS



XDLS/XDLM BK SA S



XDLS/XDLM BK SA D180



XDLS/XDLM BK SA W

ARRA
Funding Compliant



Project Name _____ Fixture Type _____
Catalog # _____

12/18/20

© 2020
LSI INDUSTRIES INC.