

# POWER BASE ADAPTOR (OSPB 15A WH)



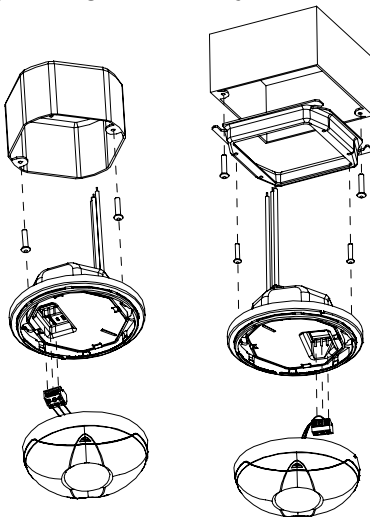
**BASIC OPERATION** - The OSPB 15A is a self-contained transformer and relay adaptor with a patent-pending technology that converts any low-voltage ceiling or wall sensor to line voltage. It conveniently mounts to a standard 2.125" deep x 4" octagon, 2.125" deep x 4" square electrical box with mud ring, or to 4" surface mount wire raceway boxes, provided with wire leads for simple connection to a line-voltage circuit and a two-part terminal block for fast, easy low-voltage connections to the sensor. The Power Base Adaptor is ideal for both existing buildings with limited access to wiring and new construction with line-voltage circuiting only.

The OSPB 15A offers the same performance features as the OSP Power Pack Series. The Power Base Adaptor is a "problem solver" that increases the versatility of LSI's low-voltage ceiling occupancy sensors.

## APPLICATIONS

- Lavatories
- Remodels in hard ceiling spaces
- Surface mount boxes
- Energy conservation retrofits
- Any installation with limited access for low-voltage wiring installation

## INSTALLATION AND WIRING



## FEATURES

- Ability to convert LSI's low-voltage ceiling sensors to line-voltage offers greater versatility in any application
- Streamlined installation offers customers an immediate energy-management solution
- Mounts easily in electrical box and provides leads for simple line voltage connection
- Two-piece terminal block provides fast, easy low-voltage connections to the sensor
- Zero-crossing circuitry for enhanced reliability and long-life operation
- Patented

## SPECIFICATIONS

ELECTRICAL	
Input Voltage	120-277 VAC @ 50/60Hz
Output Voltage	24 VDC, 40mA nominal, full-wave rectified and filtered, unregulated. (Each sensor contains an internal voltage regulator.)
Load Rating	15A Incandescent, Electronic or Magnetic Fluorescent Ballast; 3/4 HP at 120V
Wire Designation	Line-Black, Load-Blue, White-Neutral
Power Consumption (base only)	Lights On: 120V - 1.58W, 277V - 2.34W Lights Off: 120V - .27W, 277V - 1.04W
ENVIRONMENTAL	
Operating Temperature Range	0°C to 40°C (32°F to 104°F)
Storage Temperature Range	-10°C to 85°C (14°F to 185°F)
Relative Humidity	0% to 90% non-condensing
PHYSICAL	
Case	High impact plastic
Relay	Class B (130°C) insulating material. Silver alloy contacts switching power supply — 120/230/277 VAC
Wire	6" leads 14 AWG input, two-part terminal block output
Size	4.5" dia. x 1.75" deep
Color	White

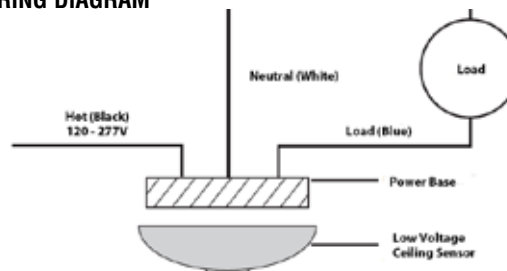
## AGENCY STANDARDS AND COMPLIANCE

UL and cUL Listed
NOM
CEC Title-24
Backed by Limited Five-Year Warranty

## ORDERING INFORMATION

PART NO.	CAT. NO.	DESCRIPTION
596065	OSPB 15A WH	24V DC Ceiling Box Mount Power Base Adaptor

## WIRING DIAGRAM



Project Name \_\_\_\_\_ Catalog # \_\_\_\_\_

1-800-436-7800 (Support, Option 8) [www.lsi-industries.com](http://www.lsi-industries.com)

© 2018  
LSI INDUSTRIES INC.