

LED LIFESTYLE SERIES XDLM XDLS WALL MOUNT BRACKET INSTALLATION INSTRUCTIONS

XDLM / XDLS LUMINAIRE INSTALLATION ON SA W WALL MOUNT BRACKET

ASSEMBLY TOOLS REQUIRED: 7/32" HEX KEY WRENCH, 3/4" OPEN END WRENCH, FISH TAPE, LEVEL

NOTE: PACKAGING MATERIALS SHOULD BE USED TO PROTECT PAINT FINISH WHEN ASSEMBLING FIXTURE & MOUNTING BRACKET ON PARKING LOT SURFACE OR GROUND.

1. REMOVE FIXTURE FROM MASTER PACKING CARTON. SCREW 1/2-13 STUDS (2X) INTO THE CROWN UNTIL STUD THREADS ARE FULLY ENGAGED IN CROWN (MIN. 0.500" THREAD ENGAGEMENT). SLIDE CROWN ADAPTER, ARM EXTRUSION, & WALL MOUNT CASTING ONTO STUDS.
2. CAREFULLY FEED LUMINAIRE LEADS THRU ADAPTER, ARM, & WALL MOUNT. A FISH TAPE MAY BE USED TO AID FEEDING LEADS. INSTALL LOCKWASHERS & HEX NUTS (2X) ONTO STUDS. MAKE CERTAIN ARM IS SQUARE WHEN TIGHTENING 1/2-13 NUTS (2X). TIGHTEN NUTS TO 35-40 FT/LBS TORQUE.

⚠ FASTENERS SHOWN FOR SA ARM MOUNTING MUST BE INSTALLED AS SHOWN! FAILURE TO INSTALL AS SHOWN MAY RESULT IN DAMAGE TO THE FIXTURE, THE BUILDING, OR PASSERSBY WALKING BELOW!

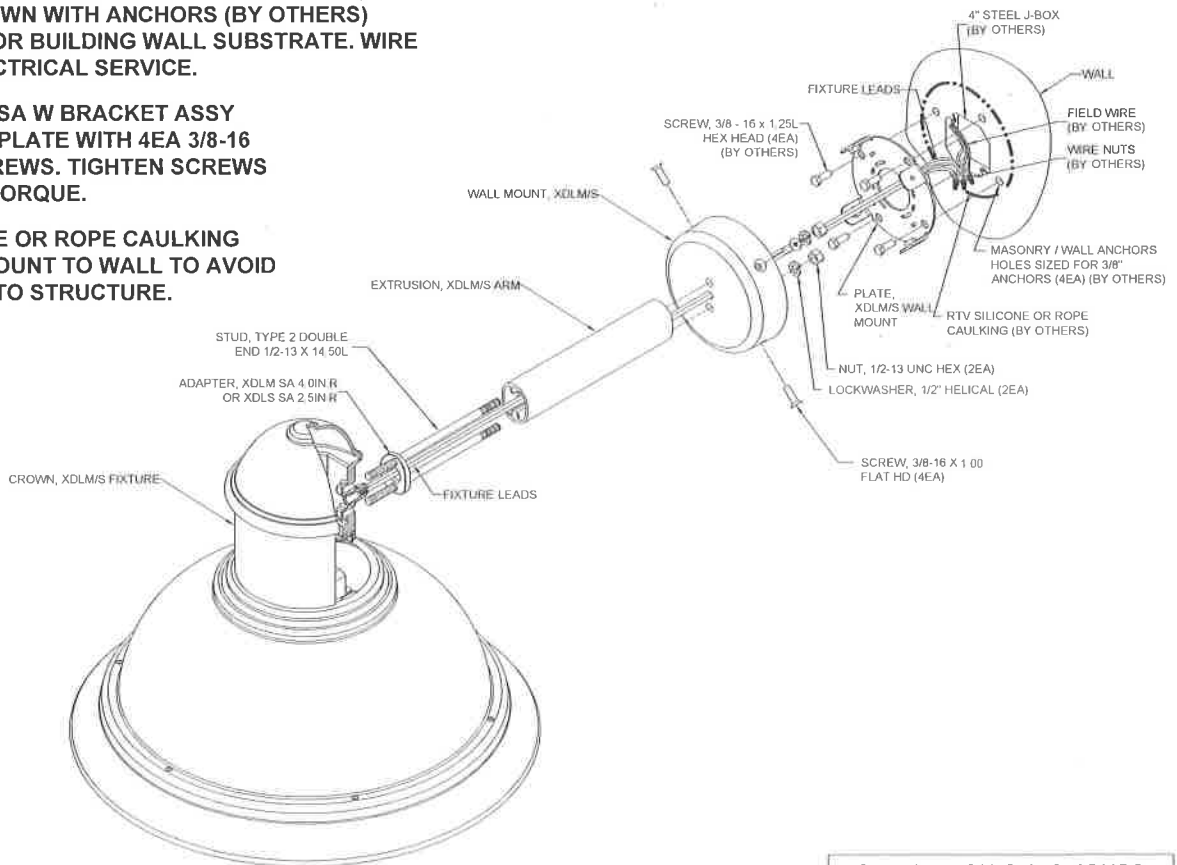
⚠ MAKE CERTAIN ARM DOES NOT TWIST WHEN TIGHTENING NUTS INSIDE OF WALL MOUNT. FAILURE TO KEEP CROWN STRAIGHT WILL RESULT IN FIXTURE HANGING OUT OF SQUARE.

3. REFER TO FIXTURE INSTALLATION INSTRUCTIONS INCLUDED IN THE FIXTURE SHIPPING CARTON.

4. MOUNT WALL MOUNT PLATE OVER 4" STEEL BOX (BY OTHERS) AS SHOWN WITH ANCHORS (BY OTHERS) APPROPRIATE FOR BUILDING WALL SUBSTRATE. WIRE FIXTURE TO ELECTRICAL SERVICE.

5. MOUNT FIXTURE/ SA W BRACKET ASSY TO WALL MOUNT PLATE WITH 4EA 3/8-16 HEX SKT CAP SCREWS. TIGHTEN SCREWS TO 10-12 FT/LBS TORQUE.

6. USE RTV SILICONE OR ROPE CAULKING TO SEAL WALL MOUNT TO WALL TO AVOID WATER ENTRY INTO STRUCTURE.



A Company with a Smart Vision

LSI Industries Inc. • 10000 Alliance Road • Cincinnati, OH 45242 • 513-793-3200 • www.lsi-industries.com • Fax (513) 984-0147

INSTALLATION QUESTIONS?
CALL LSI FIELD SERVICE
800-436-7800 EXT 3300
FAX 513-984-9723

LED LIFESTYLE SERIES XDLS WALL MOUNT BRACKET INSTALLATION INSTRUCTIONS

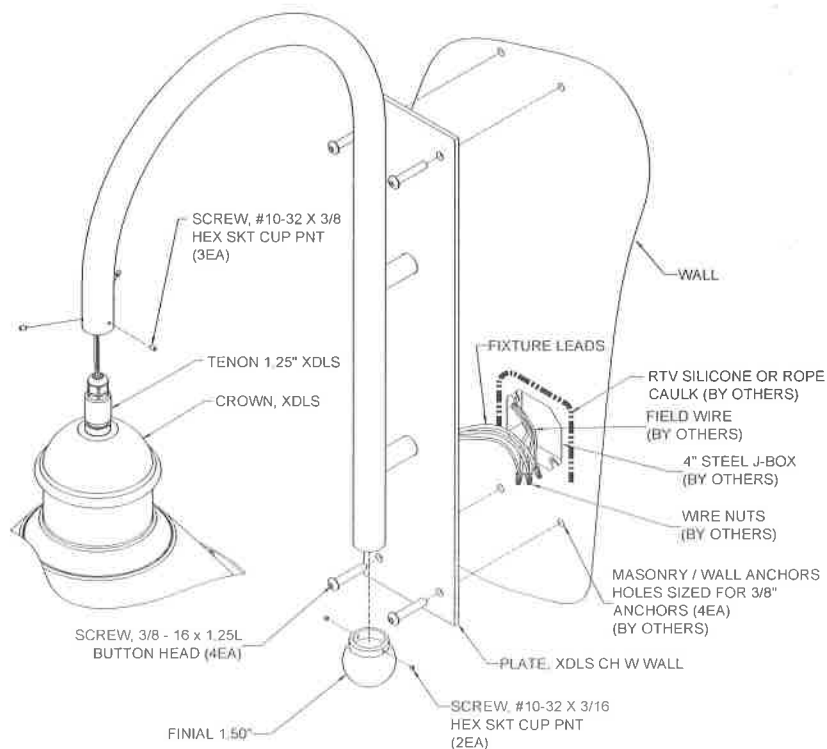
XDLS LUMINAIRE INSTALLATION ON XDLS CH W WALL MOUNT BRACKET

ASSEMBLY TOOLS REQ'D: 3/32" HEX KEY WRENCH, 7/32" HEX KEY WRENCH, FISH TAPE

NOTE: PACKAGING MATERIALS SHOULD BE USED TO PROTECT PAINT FINISH WHEN ASSEMBLING FIXTURE, & MOUNTING BRACKET, ON PARKING LOT SURFACE OR GROUND.

1. REMOVE FIXTURE FROM THE MASTER PACKING CARTON. CAREFULLY FEED FIXTURE LEADS THRU XDLS CH W BRACKET ARM & THRU SUPPORT TUBE. USE A FISH TAPE TO AID IN PULLING LEADS. INSERT CROWN TENON INTO XDLS CH W BRACKET ARM. INSTALL #10-32 SET SCREWS (3X) TIGHTEN USING 3/32" HEX KEY. TIGHTEN SCREWS UNTIL THEY BOTTOM OUT ON TENON, 20-30 INCH/LBS TORQUE.
2. INSTALL FIXTURE PER THE INSTRUCTIONS INCLUDED IN THE FIXTURE SHIPPING CARTON. USE SHIPPING CARTON TO PROTECT PAINTED SURFACES DURING ASSEMBLY.
3. INSTALL 3/8" WALL MOUNT ANCHORS ALIGNED WITH XDLS CH W WALL PLATE MOUNTING HOLES. WIRE FIXTURE TO ELECTRICAL SERVICE. APPLY RTV SILICONE OR ROPE CAULK TO SEAL XDLS CH W WALL PLATE TO WALL. INSTALL XDLS CH W FINIAL WITH #10-32 SET SCREWS.

⚠ XDLS CH W WALL MOUNT BRACKET FOR MOUNTING X LS MODELS ONLY! XDLM MODELS EXCEED XDLS CH W WEIGHT LIMIT.



INSTALLATION QUESTIONS?
 CALL LSI FIELD SERVICE
 800-436-7800 EXT 3300
 FAX 513-984-9723

LED LIFESTYLE SERIES XDLM XDLS WALL MOUNT BRACKET INSTALLATION INSTRUCTIONS

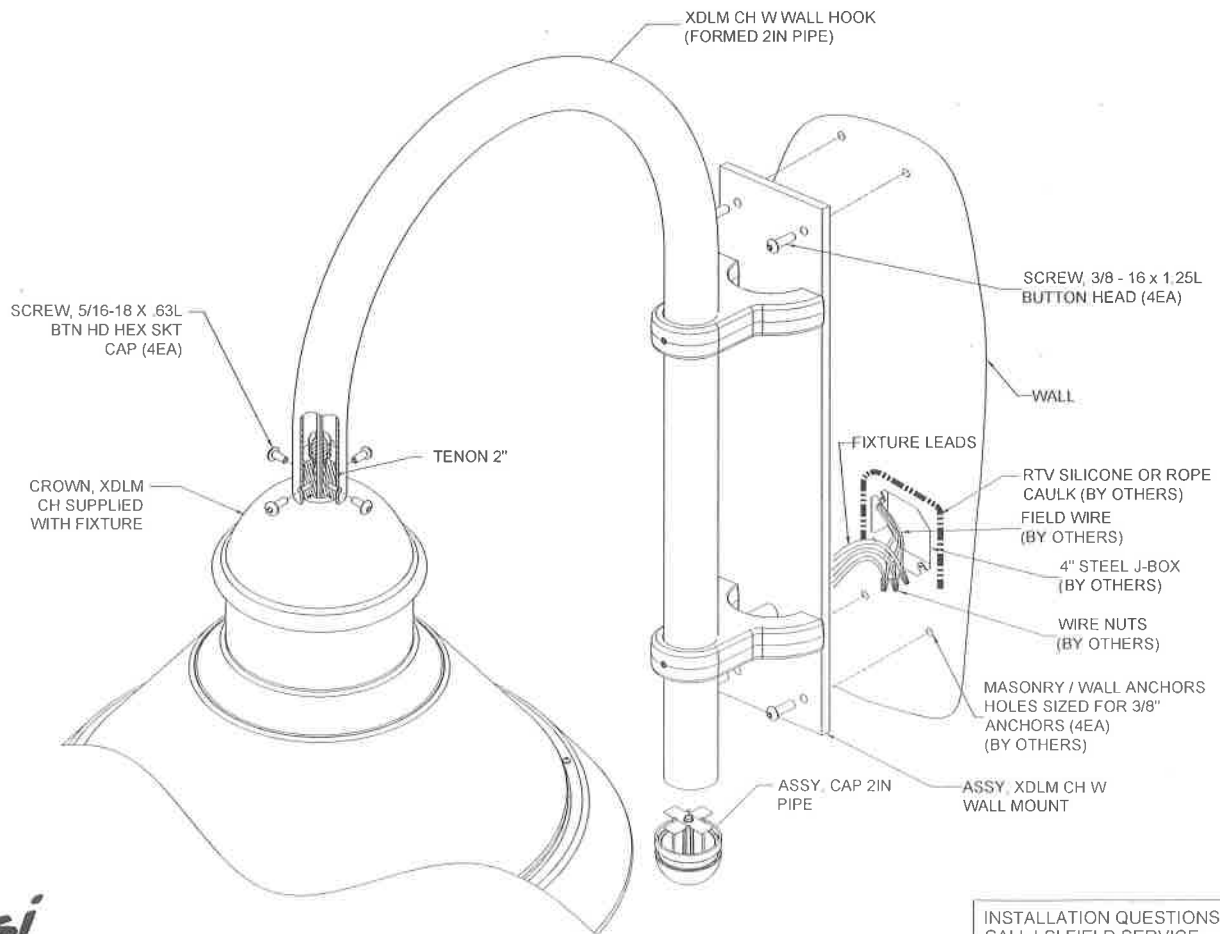
- WARNING:** BEFORE PROCEEDING, READ ALL INSTRUCTIONS CAREFULLY TO INSURE PROPER AND SAFE INSTALLATION.
- WARNING:** RISK OF FIRE OR ELECTRICAL SHOCK. DISCONNECT POWER BEFORE INSTALLING OR SERVICING.
- WARNING:** ALL WIRING TO BE PERFORMED PER NATIONAL ELECTRICAL CODE AND LOCAL CODE BY A QUALIFIED ELECTRICIAN.
- NOTE:** FIELD MOUNTING CONNECTIONS ARE TO BE MADE IN SUCH A MANNER SO AS TO EXCLUDE WATER FROM WIRE WAY.
- IMPORTANT:** FOR USE WITH LSI'S MODEL XDLM XDLS LED LIFESTYLE SERIES ONLY!

XDLM LUMINAIRE INSTALLATION ON XDLM CH W WALL MOUNT BRACKET

ASSEMBLY TOOLS REQ'D: 3/16" HEX KEY WRENCH, 7/32" HEX KEY WRENCH, FISH TAPE, AND RTV SILICONE.

NOTE: PACKAGING MATERIALS SHOULD BE USED TO PROTECT PAINT FINISH WHEN ASSEMBLING LUMINAIRE, MOUNTING BRACKETS, & POLES ON PARKING LOT SURFACE OR GROUND.

1. REMOVE FIXTURE FROM MASTER PACKING CARTON. CAREFULLY FEED FIXTURE LEADS THRU XDLM CH W WALL MOUNT BRACKET ARM & THRU SUPPORT TUBE. USE A FISH TAPE TO AID IN PULLING LEADS. INSERT CROWN TENON INTO CH W BRACKET ARM. INSTALL 5/16-18 SCREWS (4X) TIGHTEN USING 3/16" HEX KEY. TIGHTEN SCREWS TO 8-10 FT/LBS TORQUE.
2. REFER TO INSTALLATION INSTRUCTIONS INCLUDED IN THE FIXTURE SHIPPING CARTON.
3. INSTALL 3/8" WALL MOUNT ANCHORS ALIGNED WITH LM CH W WALL PLATE HOLES. WIRE XDLM CH W ASSY TO ELECTRICAL SERVICE. APPLY RTV SILICONE OR ROPE CAULK TO SEAL LM CH W WALL PLATE TO WALL. INSTALL CAP ONTO 2IN PIPE.



INSTALLATION QUESTIONS?
CALL LSI FIELD SERVICE
800-436-7800 EXT 3300
FAX 513-984-9723