

Installation and Assembly Instructions Mirada Wall Sconce (XWM) Series



⚠️ WARNING

Risk of fire, electric shock, injury or property damage

Risk of electric shock--Disconnect power to equipment before installing or servicing.
This equipment must be installed according to all applicable codes & ordinances.
Installation and service of this equipment must be performed by qualified service personnel.
Do not install damaged equipment.
Read these instructions before installing, servicing or maintaining this equipment.
Save these instructions for maintaining and servicing.

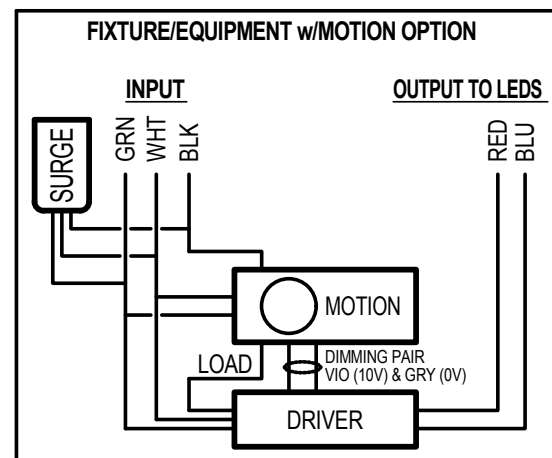
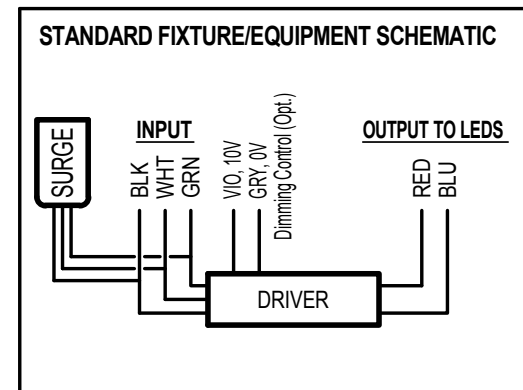
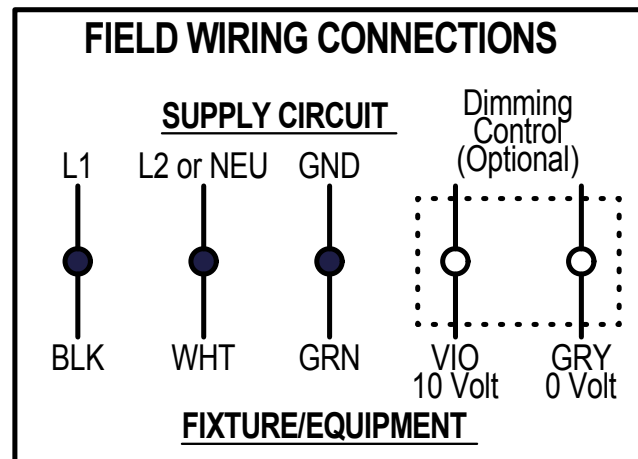
⚠️ CAUTION

Failure to follow instructions or altering equipment could result in damage and void warranty.
Edges may cut--wear gloves while handling or servicing this equipment.
Inspect equipment for damage from shipping and handling.

LUMINAIRE INSPECTION

1. Remove the luminaire from the carton and inspect luminaire for damage. Do not install a damaged luminaire.

WIRING INFORMATION

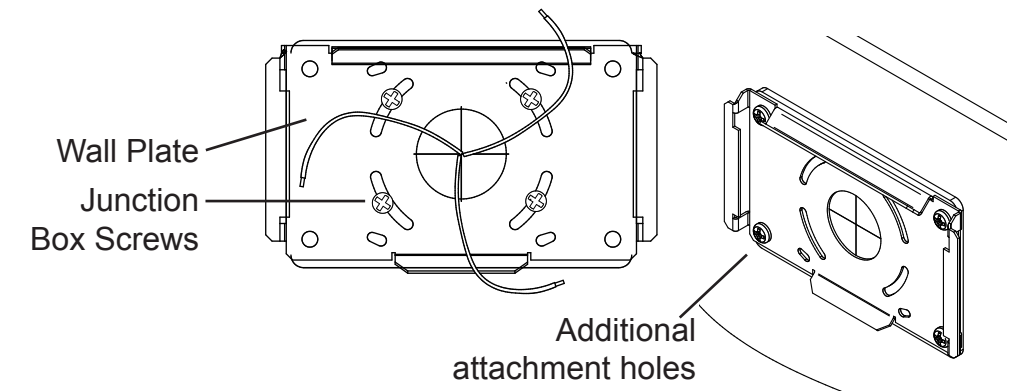


Installation Questions
Call LSI Field Service Dept.
800-436-7800 ext. 3300

Installation and Assembly Instructions Mirada Wall Sconce (XWM) Series

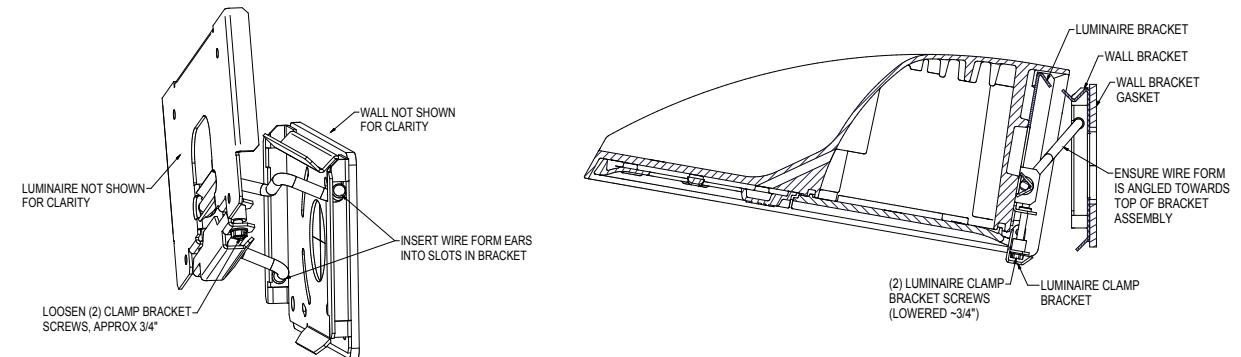
Step 1

1. Attach wall plate to existing junction box by others.
2. Or, additional holes provided for attachment to wall.



Step 2

1. Attach luminaire to wall plate by inserting Wire Form into Wall Plate.



Step 3

1. With luminaire hanging open, make primary wiring connections.

Step 4

1. With wiring connections complete, place wiring and connections in junction box.
2. Swing luminaire into the closed position and tighten (2) screws located on the bottom securing luminaire to Wall Bracket.
3. Apply sealant to top and side edges of luminaire where contact is made with the wall ensuring a water tight seal.

