

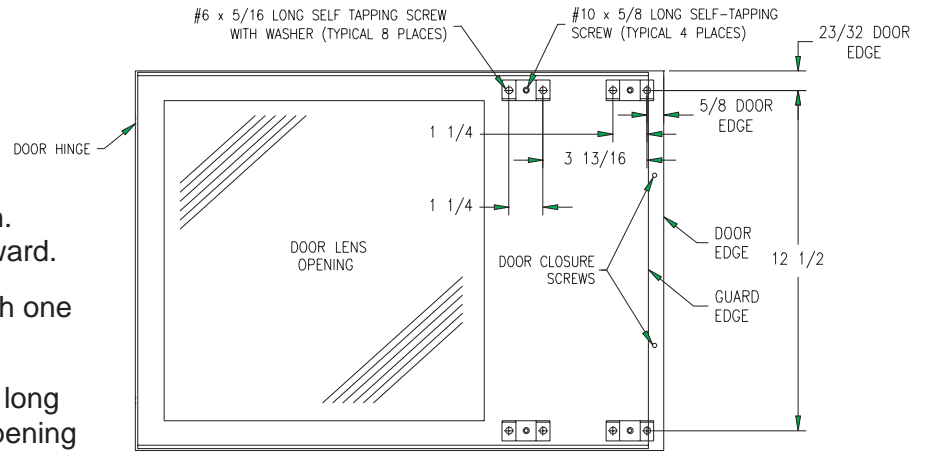
# INSTALLATION AND ASSEMBLY INSTRUCTIONS

## PLS POLY VANDAL SHIELD - CT2H & CL2 SERIES FIXTURES

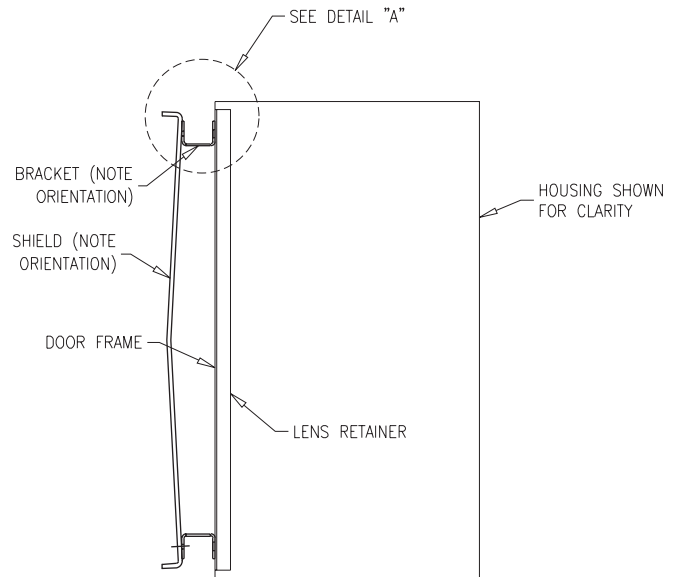
**WARNING: Disconnect power from fixtures before installing shields!**

**Tools required: Drill, 3/32" drill bit, #1 size Philips screwdriver, marking pen**

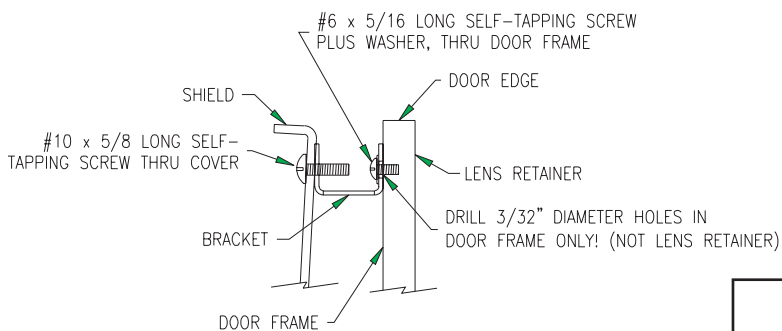
1. Disconnect power from fixtures.
2. Do not remove door from fixture. Shield can be installed on closed fixture.
3. Place shield on ground, protecting it's finish. Place so that the side legs are pointing upward.
4. Position one bracket so that bracket leg with one hole is over one hole in the shield.
5. Secure bracket to shield with one #6 x 5/8" long screw. Rotate bracket so that U-shaped opening is pointing towards shield edge. See Figure 2.
6. Repeat Step 5 above for remaining 3 brackets.
7. Position shield over fixture door as shown in Figure 1. Using fine marker, mark 8 holes on fixture door. Place shield aside.
8. Drill all (8) 3/32" diameter holes through door frame, but do not drill inner lens retainer! See Detail "A".
9. Remove brackets from shield and set aside.
10. Secure brackets to door frame with (8) #6 x 5/16" long screws and (8) washers. Position brackets so that the U-shaped channel faces side of door frame. See Detail "A".
11. Refasten shield to brackets with (4) #10 x 5/8" long screws. See Detail "A".



TOP VIEW  
DOOR SHOWN ONLY  
HOUSING REMOVED FOR CLARITY  
**FIGURE 1**



**FIGURE 2**  
END VIEW



**DETAIL "A"**  
END VIEW



LSI LIGHTING SYSTEMS  
10000 Alliance Road ♦ Cincinnati, Ohio 45242 ♦ (513) 793-3200 ♦ Fax (513) 984-1335 ♦ [www.lsi-industries.com](http://www.lsi-industries.com)

**Installation Questions?**  
Call LSI Field Service Department at:  
1-800-436-7800 Ext. 3300 Fax: (513)984-9723