

INSTALLATION AND ASSEMBLY INSTRUCTIONS
LEGACY™ & LEGACY™ SCOTTSDALE®
CRU/CRUS SC & CRU/CRUS SCDL LED SINGLE DECK
CANOPY LUMINAIRE SINGLE-PERSON INSTALL



SMARTVISION®

SAVE THESE INSTRUCTIONS AND DELIVER TO OWNER AFTER INSTALLATION

BEFORE YOU BEGIN

Read these instructions completely and carefully, observing all CAUTIONS and WARNINGS shown throughout these instructions.

WARNING! RISK OF ELECTRIC SHOCK

- Disconnect or turn off power before installation or servicing.
- Verify that supply voltage is correct by comparing it with the luminaire label information.
- Make all electrical and grounded connections in accordance with the National Electrical Code (NEC) and any applicable local code requirements.

CAUTION: RISK OF INJURY

- Wear gloves and safety glasses at all times when removing luminaire from carton, installing, servicing or performing maintenance.
- Allow luminaire/driver to cool before handling.

NOTICE: RISK OF PRODUCT DAMAGE- Failure to follow instructions could result in damage to product and void ALL warranties!

- Only install fixture with lens facing downward.
- Never connect components under load.
- Do NOT mount or support these fixtures in a manner that can cut the outer jacket or damage wire insulation.
- Do NOT exceed fixtures maximum ambient temperature rating.

CLEANING INSTRUCTIONS

- It will occasionally be necessary to clean the outside of the lens. Frequency of cleaning will depend on ambient dirt level and minimum light output which is acceptable to the user.
- Lens should be wiped with a DAMP cloth with a solution of warm water and a mild, non-abrasive household detergent. Dry with soft, dry, clean cloth.
- Do NOT use chemical cleaners such as powder cleansers, bleach, etc.
- Do NOT use scouring pads, as this will scratch and damage the lens finish.
- Do NOT wipe with a soiled cloth or wet towel - these may leave a residue that can damage finish.
- Do NOT pressure wash or hose down luminaire.



LSI Industries Inc. 10000 Alliance Road Cincinnati, Ohio 45242 (513) 793-3200 Fax (513) 793-0147 www.lsi-industries.com

537129 Rev. 2/14

1 / 4



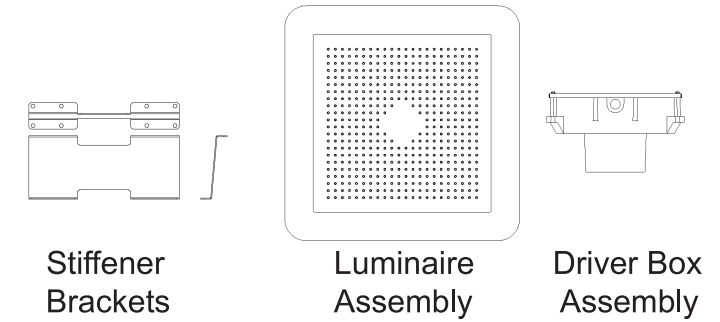
Listed to UL1598
 LED Canopy Luminaire,
 Suitable for wet locations

©2014 LSI Industries Inc.

CRU/CRUS SC & CRU/CRUS SCDL SERIES, cont'd.

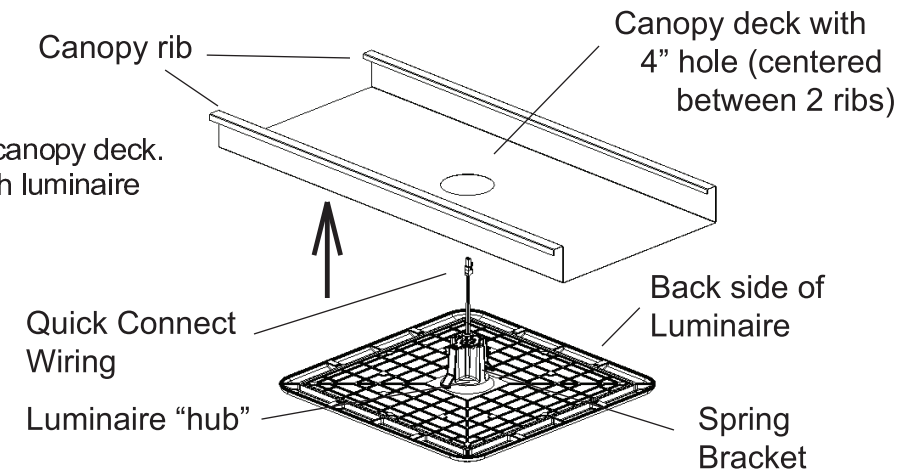
Suggested Tools: Drill with 4" diameter hole saw, ratchet with regular 7/16" and deep-well 1/2" socket and 3" extension, 5/16" nut-driver, 5/32" Hex Allen key.

1. CRU and CRUS consists of luminaire assembly, driver box assembly, and stiffener brackets



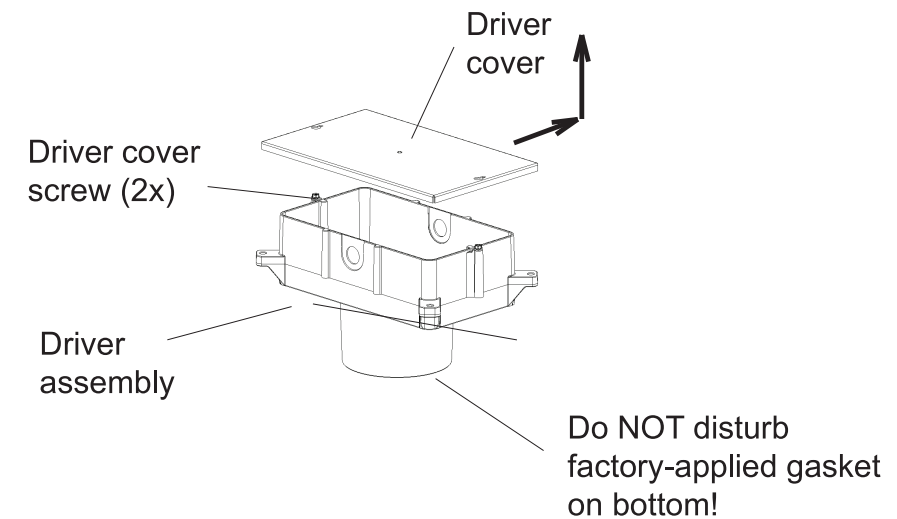
2. CRU and CRUS are intended to be installed in the CENTER of standard steel canopy decks. Ensure canopy deck is clear of obstructions above canopy deck for installation, and ensure that canopy deck is sturdy and structurally sound to accept luminaire (each luminaire weights 20 pounds)

3. A 4" diameter hole is required in canopy, centered between two canopy ribs. Use 4" hole saw to cut.



4. Hold back side of luminaire assembly up to canopy deck. Feed quick connect wiring thru 4" hole. Push luminaire assembly "hub" thru 4" hole such that spring bracket compresses, then snaps back on other side to support Luminaire.

5. On top of canopy, with driver assembly in hand, remove driver box cover using 5/16" nut-driver (cover is key-slotted; do NOT remove screws completely). Slide cover from both screws to clear key slots. **Do NOT disturb ground wire connection to cover (allow cover to hang to the side).**



LSI Industries Inc. 10000 Alliance Road Cincinnati, Ohio 45242 (513) 793-3200 Fax (513) 793-0147 www.lsi-industries.com

537129 Rev. 2/14

2 / 4

©2014 LSI Industries Inc.

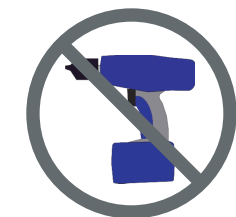
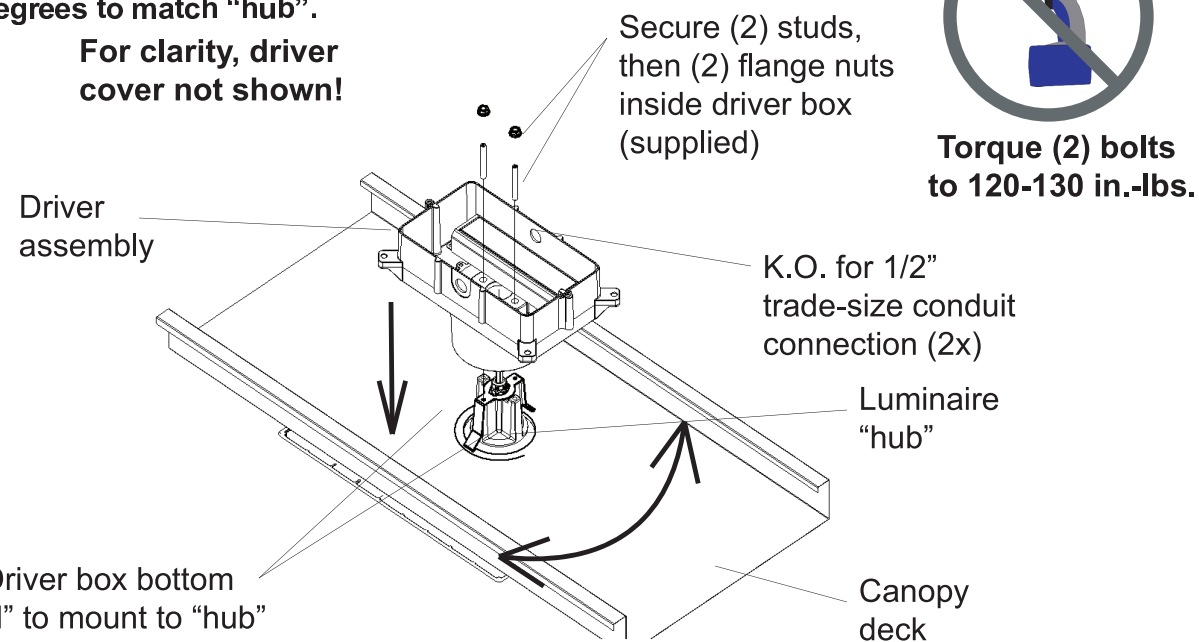
CRU/CRUS SC & CRU/CRUS SCDL SERIES, cont'd.

6. Locate hardware kit. Thread both long studs into top of luminaire hub (locate both threaded holes in top of hub). Place driver assembly over luminaire hub protruding thru canopy deck. Studs will go thru matching holes in driver box. Feed quick connect wires thru large hole in bottom of driver assembly, up into assembly, then lower driver assembly down over studs. Secure driver assembly to luminaire assembly using (2) supplied flange nuts. Hold luminaire up by tether cable while installing flange nuts. As flange nuts are tightened, the spring bracket will compress into neck of driver assembly and draw luminaire up to deck. Tighten both flange nuts to 120-130 in-lbs.

Warning! Do not over-tighten bolts. Torque specification is 120-130 in.-lbs. Drill driver NOT recommended; risk of stainless galling and incorrect bolt torque!

NOTE: Bottom of driver box is "keyed" to be mounted and secured every 180 degrees to match "hub".

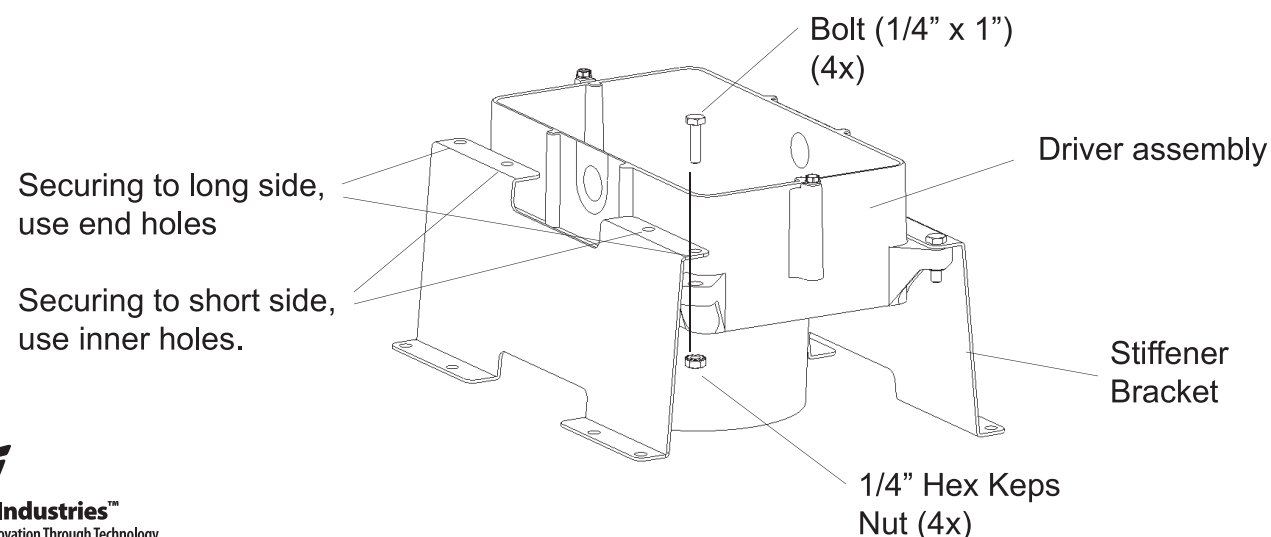
For clarity, driver cover not shown!



Torque (2) bolts to 120-130 in.-lbs.

NOTE: Driver box bottom is "keyed" to mount to "hub" every 180 degrees. Driver box and Luminaire can be rotated to any direction desired.

7. Attach stiffener brackets to driver housing. Brackets can be secured to either long side of driver housing or short side of driver housing. Brackets should be placed atop driver assembly corner "ears", while aligning holes. Use supplied nuts and bolts to secure. **NOTE: Securing Brackets to long sides is shown.**



CRU/CRUS SC & CRU/CRUS SCDL SERIES, cont'd.

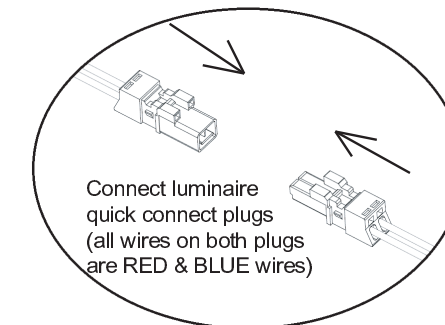
IMPORTANT! The following instructions are for qualified electricians ONLY!

IMPORTANT! Match incoming supply voltage to luminaire voltage rating!

8. Run supply wiring to driver box. Driver box is supplied with (2) knockouts (K.O.) for 1/2" trade-size conduit.

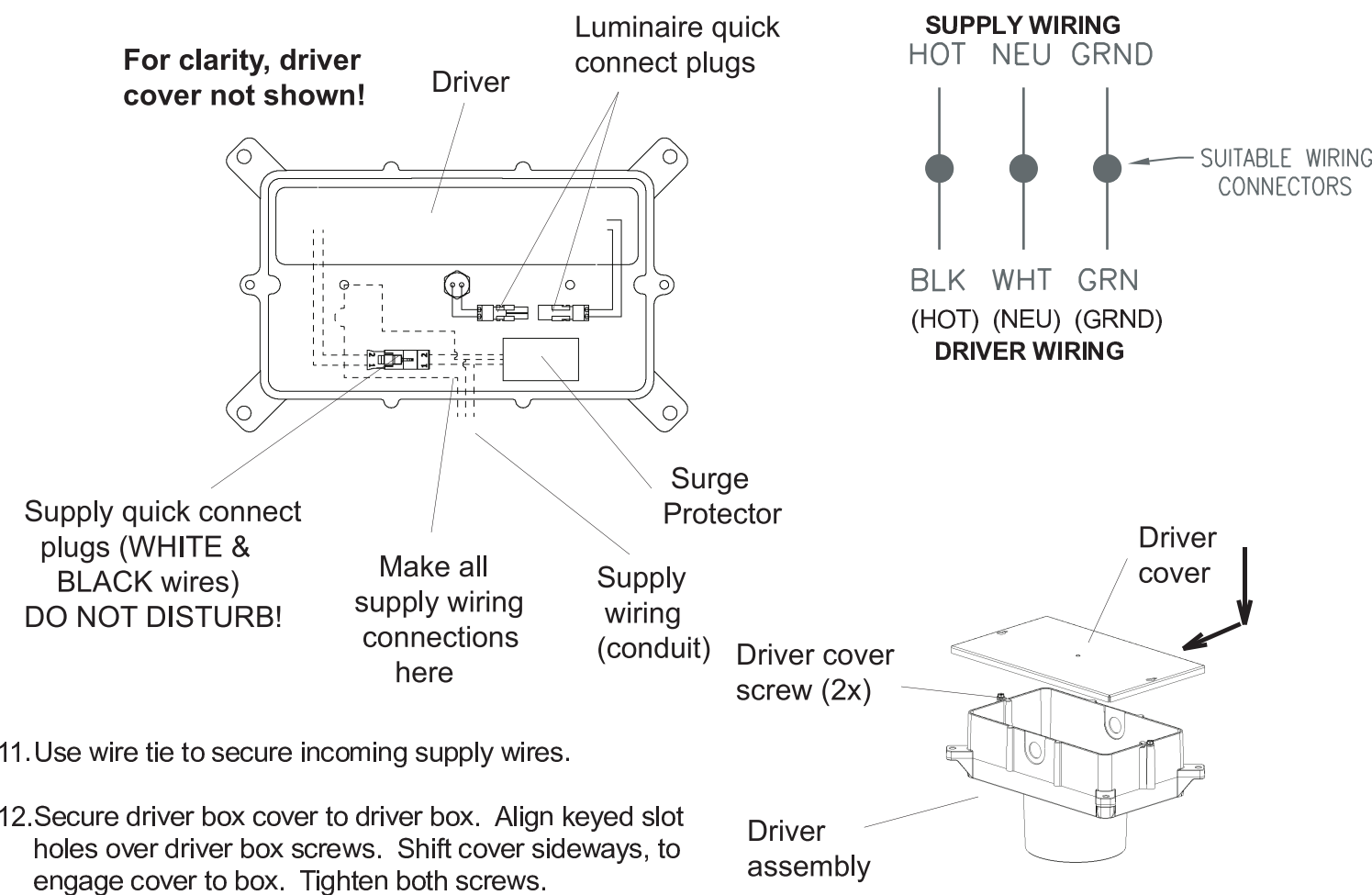
IMPORTANT! Supply wire to be rated minimum 90C!

9. Inside driver box, locate both the (A) supply wiring quick connect plug (WHITE & BLACK wires) and the (B) luminaire quick connect plugs (RED & BLUE wires). First, connect (B) luminaire quick connect plug to driver's "loose" plug.



10. Locate (A) supply wiring quick connect plug (WHITE & BLACK wires). This plug connection is already made; do NOT disturb this connection. Make necessary supply wire connections to "loose" wires on this plug inside driver box, using suitable wiring connectors. Connect ground inside driver box to supply wire ground. See below wiring diagram for all supply wiring connections.

For clarity, driver cover not shown!



11. Use wire tie to secure incoming supply wires.

12. Secure driver box cover to driver box. Align keyed slot holes over driver box screws. Shift cover sideways, to engage cover to box. Tighten both screws.

Installation Questions?
Call LSI Field Service Department at:
1-800-436-7800 Ext. 3300
Fax: 1-877-861-1368

