

INSTALLATION AND ASSEMBLY INSTRUCTIONS
LEGACY™ & LEGACY™ SCOTTSDALE®
CRUK RECU SC / CRUSK RECU SC & CRUK RECU SCDL / CRUSK RECU SCDL
CROSSOVER® RECESSED SUPERKIT®
FOR LSI INDUSTRIES INC. RIC Richmond®



SMARTVISION®



SAVE THESE INSTRUCTIONS AND DELIVER TO OWNER AFTER INSTALLATION

BEFORE YOU BEGIN

Read these instructions completely and carefully, observing all **CAUTIONS** and **WARNINGS** shown throughout these instructions.

WARNING! RISK OF FIRE OR ELECTRIC SHOCK

- Disconnect power before installation or servicing.
- **WARNING** - Risk of fire or electrical shock. Luminaire wiring, power supply, or other electrical parts may be damaged when drilling for installation of retrofit assembly hardware. Inspect wiring and components for damage.
- **WARNING** - Risk of fire or electrical shock. Do not alter, relocate, or remove wiring, lampholders, power supply or any other electrical component.
- **WARNING** - Risk of fire or electrical shock. Installation of this retrofit assembly requires a person familiar with the construction and operation of the luminaire's electrical system and the hazard involved. If not qualified, do not attempt installation. Contact a qualified electrician.
- **WARNING** - Risk of fire or electrical shock. Install this kit only in the luminaires that has the construction features and dimensions shown in the drawings.
- **WARNING** - DO NOT MAKE OR ALTER ANY OPEN HOLES IN AN ENCLOSURE OF WIRING OR ELECTRICAL COMPONENTS DURING KIT INSTALLATION.
- Verify that supply wiring voltage matches power supply voltage by comparing it with the power supply label.
- Make all electrical and grounded connections in accordance with the National Electrical Code (NEC) and any applicable local code requirements.
- THE RETROFIT KIT IS ACCEPTED AS A COMPONENT OF A LUMINAIRE WHERE THE SUITABILITY OF THE COMBINATION SHALL BE DETERMINED BY CSA OR AUTHORITIES HAVING JURISDICTION.
- LED RETROFIT LUMINAIRE CONVERSION FOR USE ONLY IN LSI INDUSTRIES INC, MODEL RIC RICHMOND LUMINAIRES IN ACCORDANCE WITH THE INSTRUCTIONS PROVIDED WITH THIS RETROFIT KIT.

CAUTION: RISK OF INJURY

- Wear gloves and safety glasses at all times when removing luminaire from carton, installing, servicing or performing maintenance.
- Allow lamp/luminaire/driver to cool before handling.

NOTICE: RISK OF PRODUCT DAMAGE- Failure to follow instructions could result in damage to product and void ALL warranties!

- Never connect components under load.
- Do NOT mount or support these fixtures in a manner that can cut the outer jacket or damage wire insulation.
- Do NOT restrict fixture ventilation. Allow for some volume of airspace around fixture. Avoid covering LED fixtures with insulation, foam, or other material that will prevent convection or conduction cooling.



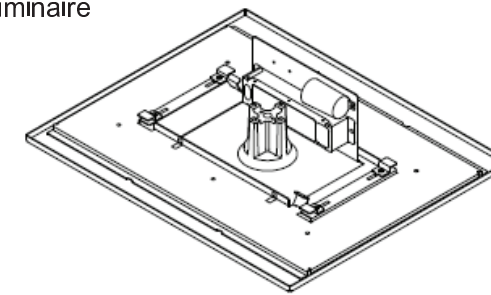
CRUK/CRUSK RECU SUPERKIT®, cont'd.

Suggested Tools: #2 Philips head screwdriver and non-metallic mallet.

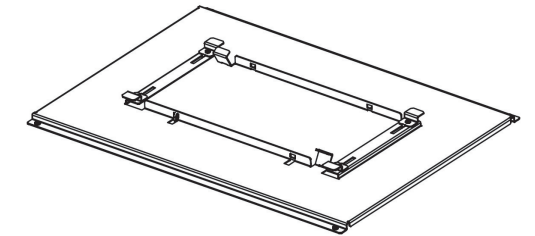
1. Unit is shipped in (3) parts: Luminaire, Inner Mount Panel, and Crossover® Specification Grade Sealant/Adhesive.

NOTE: Luminaire shown with Inner Mount Panel (as shipped).

Luminaire



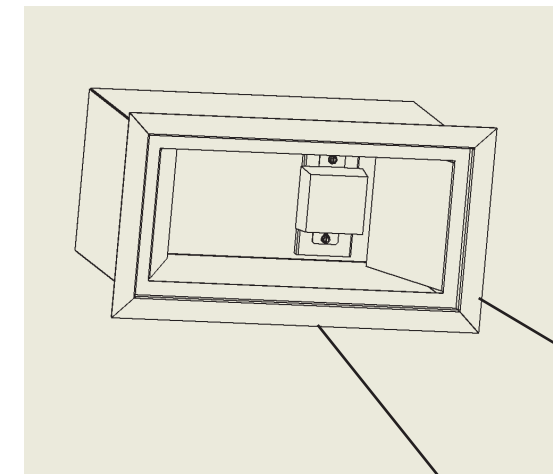
Inner Mount Panel



2. Open and remove old luminaire's lens frame assembly.

NOTE: Existing Ballast and Lampholder will remain installed and not interfere with Retrofit Kit.

3. Disconnect incoming power supply leads from old ballast. Inspect condition of existing supply wiring. If wiring show signs of degradation due to excessive heat, replace incoming power leads with 90C minimum conductors.
4. Inspect housing and seal up any holes or leaks inside with supplied Crossover® Specification Grade Sealant/Adhesive.



5. Apply a bead of supplied Sealant/Adhesive on flange of old housing.

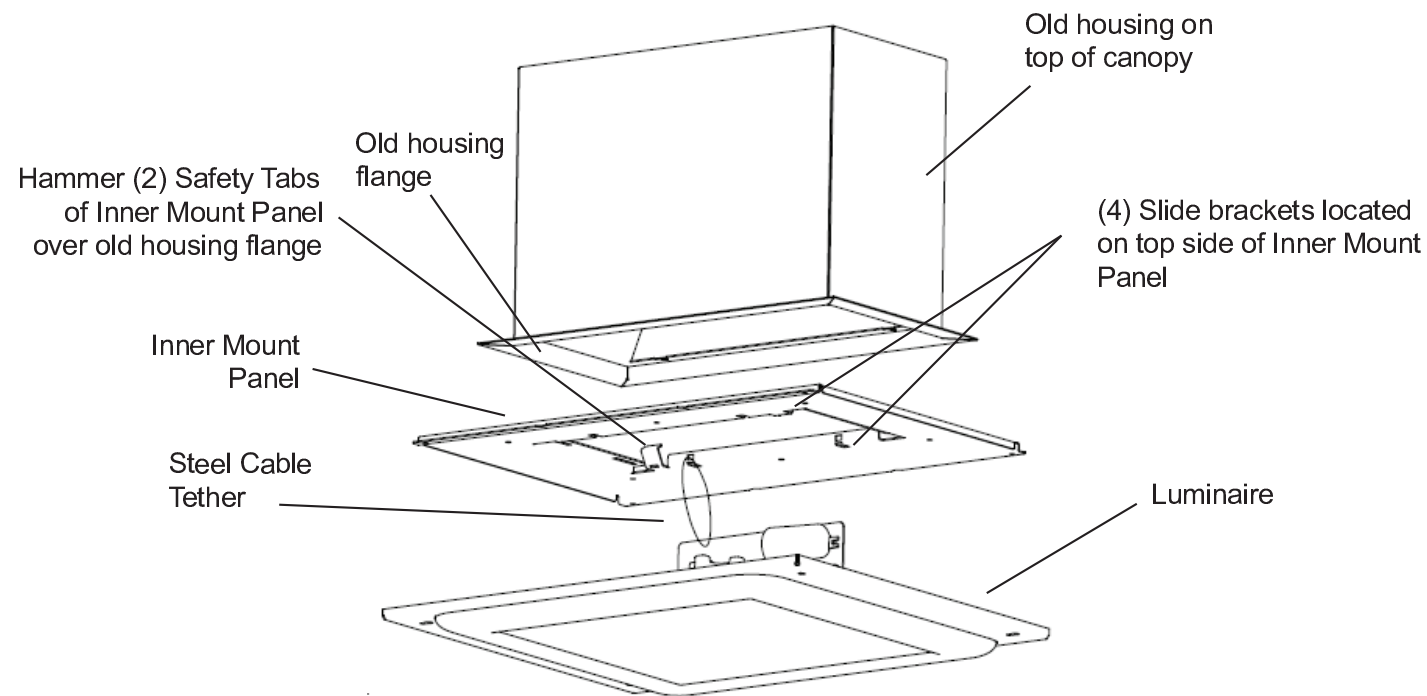
6. Apply a bead of supplied Sealant/Adhesive on canopy deck, next to flange of old housing, using the flange as a guide.

Apply bead to old housing flange

Apply bead to canopy, next to old housing flange



CRUK/CRUSK RECU SUPERKIT[®], cont'd



7. From carton, remove Inner Mount Panel lying on top of Luminaire; place aside for now.
8. From carton, remove Luminaire and place it on a protective surface with lens facing downward.
9. With Slide Brackets pointing UP, align Inner Mount Panel to old housing. Position (4) Slide Brackets up and over existing housing flange. Slide brackets outward. Align Panel with Canopy, then tighten all (4) Slide Bracket screws.
10. Using a mallet, bend over both Safety Tabs of Inner Mount Panel over the inner flange of old housing.
11. With Luminaire in hand, lift up to Inner Mount Panel. Attach Steel Cable Tether from Luminaire to Inner Mount Panel. Allow the Luminaire to hang by Steel Cable Tether for hands-free wiring.

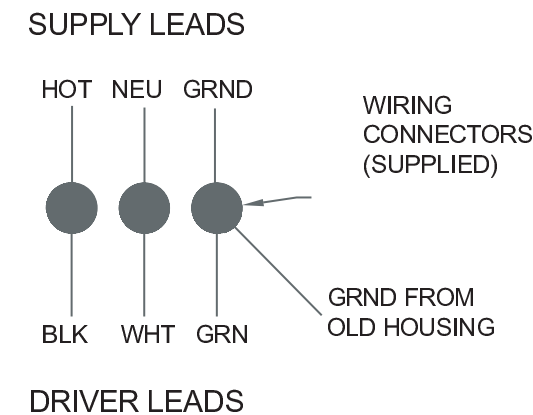
CRUK/CRUSK RECU SUPERKIT[®], cont'd

WARNING: Wiring to be performed by qualified licensed electrician only!

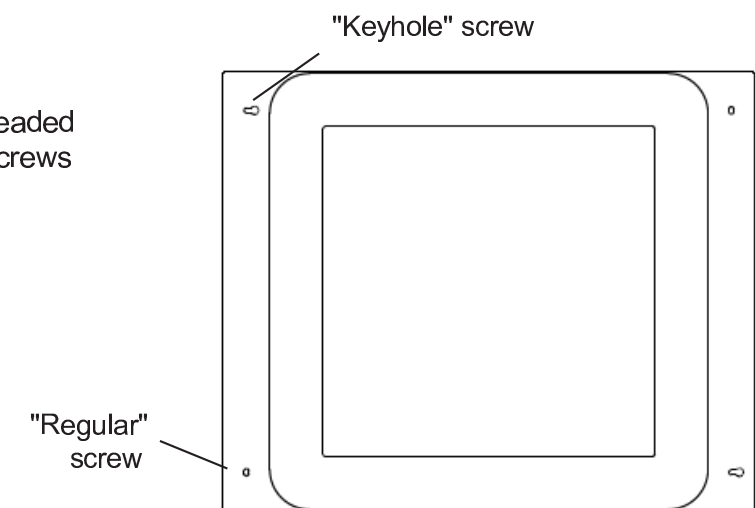
12. Make wiring connections between supply wiring and supplied wiring whip, inside old housing, using supplied wiring connectors. Be sure to use existing housing ground along with new Luminaire's ground. Wire per National Electrical Code and local code.

WARNING- To prevent wiring damage or abrasion, do not expose wiring to edges of sheet metal or other sharp objects.

IMPORTANT: No wiring connections should lay atop Luminaire when installed!



13. There are (4) screws on Inner Mount Panel that secure Luminaire; these screws are already threaded into Inner Mount Panel. Loosen (2) "keyhole" screws and completely remove (2) "regular" screws.
14. Align (2) keyhole slots on Luminaire to (2) loosened "keyhole" screws. Tighten both "keyhole" screws.
15. Install and tighten (2) "regular" screws.



Installation Questions?
Call LSI Field Service Department at:
1-800-436-7800 Ext. 3300
Fax: 1-877-861-1368