

LED Retrofit Kit (FLRK) is being replaced with the new and improved Troffer Retrofit Kit (TRK)

LED RETROFIT KIT 2X2, 2X4 (FLRK)

PRODUCT HIGHLIGHTS

- Simple, quick changeover from fluorescent to LED.
- Unit designed to fit into most 2x2 and 2x4 recessed troffers. See installation instructions for mounting details and compatibility.
- Unit designed so installation can be accomplished from below the ceiling.
- Available with up to 6586 lumens (VHO-CW)

EXPECTED LIFE - Projected life of at least 60,000 hours. Contact factory for TM-21 detail.

LEDS - Use of closely-spaced medium-power, high-brightness chips minimizes pixelation and provides uniform lens luminance. Available in Cool White (5000K), Neutral White (4000K), and Warm White (3500K) Color temperatures. CRI ≥ 80 (CW < 70). LM-80 reports available

CONSTRUCTION - Reflector and end sections, constructed of code-gauge, die-formed steel

LENS - High transmittance acrylic, tri-radius lens with minimum diode visibility.

INSTALLATION - Kit is designed to be installed into most existing grid fixtures (See installation instructions for fixture dimensions).

ELECTRICAL - Universal voltage (120-277 Vac) input, 50/60 Hz, (347 Vac). Power factor > 0.9, THD < 20%, in-rush current < 15 Amps.

DRIVER - High-performance isolated driver features over-voltage, over-current and short-circuit (with auto-recovery) protection. Driver module is sealed to IP66 protection levels, with a Class A sound rating. 0-10 volt dimming standard.

FINISH - All metal parts are painted after fabrication following treatment with phosphate rust inhibitor. Finish coating of housing reflecting surfaces is with high-reflectance (minimum 92%) matte white polyester powder.

WARRANTY - Limited 5-year warranty.

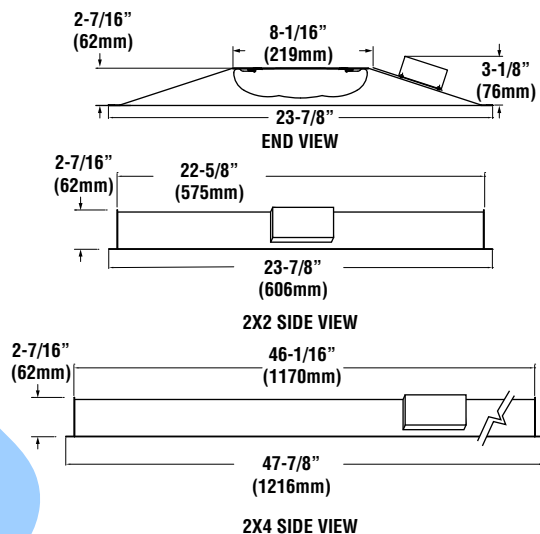
PHOTOMETRICS - Please visit our web site at www.lsi-industries.com for detailed photometric data.

LISTING - Listed to UL 1598 and UL 8750.

This product, or selected versions of this product, meet the standards listed below. Please consult factory for your specific requirements.



DIMENSIONS



	SS - Super Saver			HO - High Output			Watts	
	WW	NW	CW	WW	NW	CW	SS	HO
FLRK22 (2X2)	2685	2850	3200	3880	4050	4770	27	45
FLRK24 (2X4)	3350	3420	3980	4000	4180	4890	34	45
	VHO - Very High Output			Watts				
FLRK24 (2X4)	WW	NW	CW	VHO				
	5745	5850	6785	58				

LED Chips are frequently updated therefore values may increase.

LUMINAIRE ORDERING INFORMATION

TYPICAL ORDER EXAMPLE: **FLRK24 LED HO NW UE EM**

Prefix	SHIELD	Light Source	Drive Current	Color Temperature	Input Voltage	Options
FLRK22 - (2x2) FLRK24 - (2x4)	Blank - Acrylic	LED	SS -Super Saver HO - High Output VHO - Very High Output ¹	CW - Cool White (5000K) NW - Neutral White (4000K) WW - Warm White (3500K)	UE - Universal Input Voltage (120-277V) 347 - 347V	EM - 1100 LM Emergency SD50 - Step Dimming to 50% LDE5 - Lutron® EcoSystem™ Series 5 (5% dimming) LDE1 - Lutron EcoSystem™ Series H (1% dimming) L3D - Lutron Hi-Lume™ A Series (1% dimming)

1 - Available in 2x4 configuration only.

Lutron is a registered trademark of Lutron Electronics Co., Inc.



Project Name _____ Fixture Type _____
 Catalog # _____