

LED CANOPY LIGHT - LEGACY™ UNIVERSAL SUPERKIT - 2X2 (CRUSK UNV)



US & Int'l. patents pending.

Crossover SuperKits allow you replace many existing 2x2 canopy fixtures (including LSI, Whiteway and Jet-Phillips) without having to know the dimensions of the existing fixture.

HOUSING - Low profile, durable die-cast, aluminum construction, providing a reliable weather-tight seal.

LEDS - Features an array of select, mid-power, high brightness, high efficiency LED chips; 5000K color temperature, 70 CRI (nominal).

DRIVE CURRENT - Choice of Very Low Wattage (VLW), Low Wattage (LW), Super Saver (SS), High Output (HO) or Very High Output (VHO).

OPTICS / DISTRIBUTION - Symmetrical, which directs light through a glass lens to provide a uniform distribution of light to vertical and horizontal surfaces.

OPTICAL UNIT - Features an ultra-slim 7/8" profile die cast housing, with a standard flat glass lens. Unit is water-resistant, sealed to an IP67 rating. Integral designed heat sink does not trap dirt and grime, ensuring cool running performance over the life of the fixture.

PRESSURE STABILIZING VENT - Luminaire assembly incorporates a pressure stabilizing vent breather to prevent seal fatigue and failure.

DRIVER- State-of-the-art driver technology superior energy-efficiency and optimum light output. Driver components are fully encased in potting for moisture resistance. Complies with IEC and FCC standards. 0-10 V dimming supplied standard with all drive currents.

ADAPTOR PANEL - Die formed galvanized steel, with powder coat finish.

OPERATING TEMPERATURE - -40°C to 50°C (-40°F to +122°F)

ELECTRICAL - Universal voltage power supply, 120-277 VAC, 50/60 HZ input. Drivers feature two-stage surge protection (including separate surge protection built into electronic driver) meets IEEE C62.41.2-2002, Scenario 1, Location Category C.

FINISH - Standard color is white and is finished with LSI's DuraGrip polyester powder coat process. DuraGrip withstands extreme weather changes without cracking or peeling.

INSTALLATION - Pre-assembled optical unit and mounting panel hinges and fastens to existing fixture housing in place of current door assembly. Driver is pre-mounted to back of CRUSK assembly.

SHIPPING WEIGHT - 27 pounds.

EXPECTED LIFE - Minimum 60,000 to 100,000 hours depending upon the ambient temperature of the installation location. See LSI web site for specific guidance.

WARRANTY - Limited 5-year warranty.

LISTING - UL listed to UL 1598, UL 8750 and other U.S. and International safety standards. Suitable for wet locations.

PHOTOMETRICS - Applications layouts are available upon request. Contact LSI Petroleum Lighting or petroleum.apps@lsi-industries.com

This product, or selected versions of this product, meet the standards listed below. Please consult factory for your specific requirements.



Project Name _____ Fixture Type _____
Catalog # _____

7/22/19
© 2017
LSI INDUSTRIES INC.

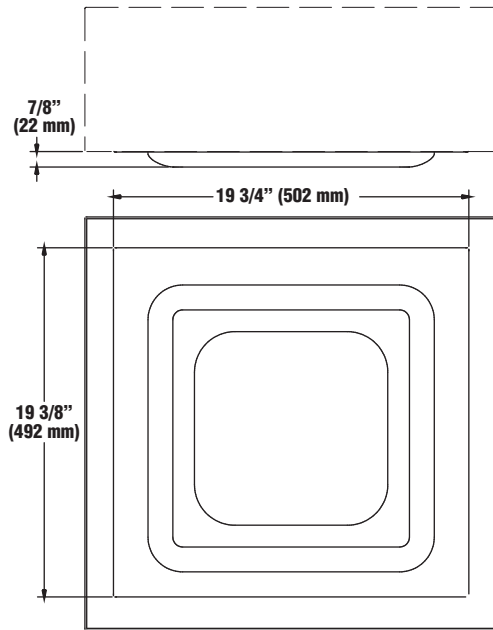
LED CANOPY LIGHT - LEGACY™ UNIVERSAL SUPERKIT - 2X2 (CRUSK UNV)

LUMINAIRE ORDERING INFORMATION

TYPICAL ORDER EXAMPLE: **CRUSK UNV SC LED HO 50 UE WHT**

Prefix	Distribution	Light Source	Drive Current	Color Temperature	Input Voltage	Finish	Options
CRUSK UNV (Universal 2x2)	SC - Standard Symmetric	LED	VLW - Very Low Watt LW - Low Watt SS - Super Saver HO - High Output VHO - Very High Output	50 - 5000K	UE - Universal Voltage (120-277V) 347 - 480V	WHT - White BRZ - Bronze BLK - Black	None

DIMENSIONS



LIGHT OUTPUT - CRUSK UNV

		Lumens		Watts SC/AC	LPW	
		SC	AC		SC	AC
Cool White	VLW - Very Low Watt	9055	7632	61	148	125
	LW - Low Watt	10525	8884	74	142	120
	SS - Super Saver	13674	11595	98	140	118
	HO - High Output	18633	15145	132	141	115
	VHO - Very High Output	22418	17262	159	141	109



Project Name _____ Fixture Type _____
Catalog # _____