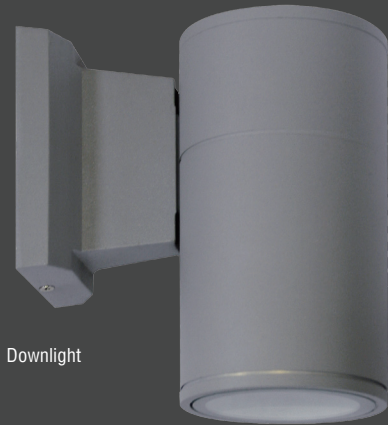




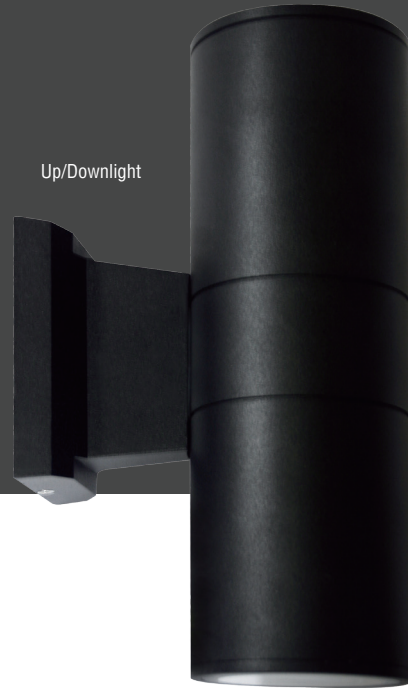
IP65

# 3" LED Wall Mount Cylinder Light

CYLINDER & TRACK



Downlight

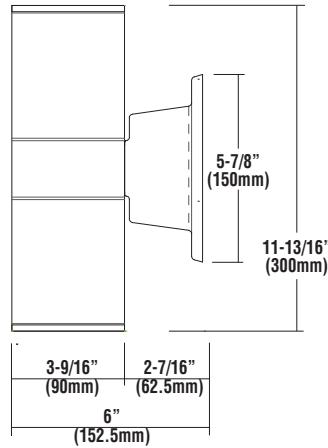


Up/Downlight

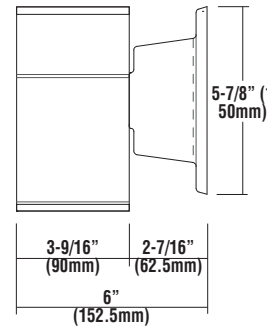
## WCYL3 DESCRIPTION

3" cylinder is rated for wet location (IP65) wall mounting with either down light or up and down light. Low heat, DOB technology.

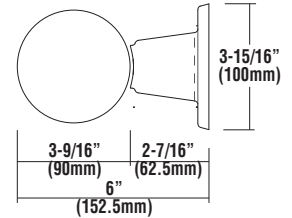
LED Quantity	1EA (DOB)	
Input Voltage	120V AC	
Wattage	15W	20W
Lumen	1145	1375
Beam Angle°	40°, 62°	
Color	3000K & 4000K	
CRI	80 (standard)	
Dimming	Triac	
Lamp Life	Rated for 50,000 hrs at 70% lumen maintenance	
IP Rating	IP65 (Wet location)	
Operating Temperature	(-30°C - +40°C) (-22°F - 104°F)	



Up/Downlight



Downlight



## Ordering Information

Luminaire	Distribution	Beam Spread	Lumens	Source	Color Temp	Housing Finish	Reflector Finish
WCYL3 - 3" Wall Mount Cylinder Light	D - Down Only	M - Medium 40°	11	LED	30 - 3000K 40 - 4000K	WH - White BK - Black SLV - Silver	HAZ - Semi-Diffused/Satin
	UD - Up/Down	W - Wide 62°	13				

### SELECTION:

**WCYL3**    **LED**

Example: WCYL3 - D - M - 13 - LED - 40 - BK - HAZ



Project Name \_\_\_\_\_ | Fixture Type \_\_\_\_\_ | Cat# \_\_\_\_\_

www.lsi-industries.com

11/28/17  
© LSI INDUSTRIES INC.



IP65

# 3" LED Wall Mount Cylinder Light

## WCYL3 Features & Benefits

### Housing

- Main body by weather proof aluminum powder coated white, black and silver finish for outdoor/indoor applications
- 15W, 20W 120V DOB modules with integrated circuit on board with customized chips (No driver needed)
- 80 CRI, 3000K and 4000K
- Uniform color temperature to 3SDCM.
- Wet location (IP65 Rated).

### Mounting

- Mount completely assembled fixture on the wall directly to surface using anchors or screws. (not supplied in the package)

### Warranty

- LSI LED Fixtures carry a limited 5-year warranty.

### Listing

- cCSA-us certificated

### Approved Dimmers

- Lutron: Skylark S-600  
: MRF2-6DN-120  
: MACL-153M  
: DVLV-600P  
: SELV-300P  
: CTCL-153P  
: DVELV-303P  
: DVCL-153P
- Leviton: D600R, Acenti: Ate06,  
Trimatron #705W
- Cooper Devine incandescent dimmer 600W
- Pass & Seymour Harmony incandescent 600W

#### *Consult factory for additional dimmers*

Lutron, Nova and Diva are trademarks of Lutron Electronics Co., Inc. Leviton, Acenti, Trimatron and Decora are trademarks of Leviton Manufacturing Co., Inc. Eaton Corporation Plc is the parent organization for Cooper Lighting. Pass & Seymour is a trademark of Legrand®



Project Name \_\_\_\_\_ | Fixture Type \_\_\_\_\_ | Cat# \_\_\_\_\_

www.lsi-industries.com

11/28/17  
© LSI INDUSTRIES INC.