

Catalog # :

Project :

Prepared By :

Date :



CPG Series LED Compact Parking Garage



The LSI CPG LED Compact Parking Garage Series is designed to optimize LED life and light output. Housing is hinged for quick and easy mounting and entrance. Using high brightness, high LED count technology, more usable light output is produced while eliminating glare.

Features & Specifications

Optical System

- The optics have been engineered specifically for parking garage applications. The distribution pattern has been created to optimize fixture spacing and reduce fixture counts while delivering improved visual comfort and eliminating glare.
- Lens assembly is designed to provide high efficiency and to target the light where needed to satisfy parking garage requirements.
- Positioning of the LEDs result in the light being directed to desired locations eliminating glare.
- 3000K | 4000K | 5000K color temperatures.
- Minimum CRI of 80.
- L70 Calculated Life: >200k Hours

Electrical

- High-performance driver features over-voltage, under voltage, short-circuit and over temperature protection.
- 0-10 volt dimming (10% - 100%) standard.
- Standard Universal Voltage (120-277 Vac) Input 50/60 Hz
- Total harmonic distortion: <20%
- Power factor: >.85
- Driver Off-State Power is 0 watts.
- Components are fully encased in potting material for moisture resistance. Driver complies with FCC standards. Driver and key electronic components can easily be accessed.
- Minimum 4kV surge rating

Controls

Wireless Controls System

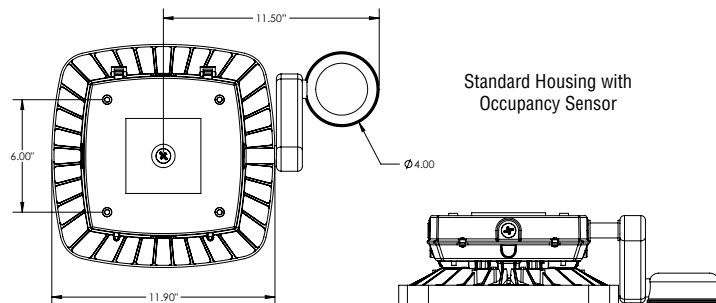
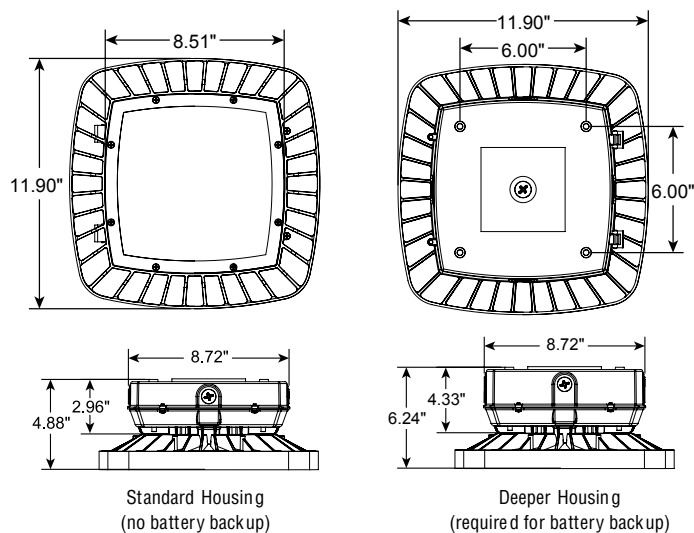
To make Airlink ready, order one of the following options:

- The integrated Wireless Lighting Controller: ALSC (see ordering guide) as the controls option, or
- Integrated Wireless Controller option (above) with integrated motion sensor: ALSCS (ordering guide for mounting heights)

For more information on our AirLink products, visit our website:
www.lsi-airlink.com/airlink-synapse/



Dimensions





CPG Series LED Compact Parking Garage

Features & Specifications (Cont.)

Stand Alone Controls

- The passive infrared motion sensor activates switching of luminaire light levels.

Construction

- Rugged aluminum die cast housing provides proven environmental protection for LED modules.
- Designed for commercial and industrial applications.
- Patent pending thermal stacking technology features a unique internal design that allows for lower operating temperatures which results in a brighter, whiter light, more stable color and longer LED and driver life.
- LSI LEDs provide higher lumen output, greater energy efficiency and more reliable fixture performance.
- LEDs manufactured for the CPG series utilize Epoxy Guard conformal coating which reduces the chance of board corrosion.
- Weight: 10.0 lbs in carton.

Warranty

- LSI LED Fixtures carry a 5-year warranty.

Listings

- CSA listed to UL 1598 and UL 8750.
- Luminaire is certified to UL/cUL Standards for Wet Locations.
- IDA Listed (3000K or warmer CCT)
- DesignLights Consortium® (DLC) qualified product. Not all versions of this product DLC qualified. Check the DLC Qualified Products List at www.designlights.org/QPL to confirm which versions are qualified.

Installation:

- Apertures for continuous wiring.
- Housing is hinged for quick and easy mounting and entrance.
- Can be pendant mounted using 1/2" threaded conduit fitting (by other).

Luminaire Ordering Guide

TYPICAL ORDER EXAMPLE: **CPG LED 7L CA W UNV DIM 40 BZA**

Family Prefix	Lumen Package	Lens Type	Distribution	Voltage	Dimming	Color Temp	Color Rendering	Options / Controls	Finishes
CPG LED - Compact Parking Garage Series	3L - 3,000 Lumens	CA - Clear Acrylic	W - Wide	UNV - Universal (120V-277V) HV - High Voltage (347v-480V)	DIM - Dim to 10% (0 to 10V)	30 - 3000K 40 - 4000K 50 - 5000K	Blank - 80 Color Rendering Index	ALSC - Airlink Synapse Wireless Digital Controller ¹ OCSUE - Occupancy Sensor, white housing 120-277V ² OCSHV - Occupancy Sensor, white housing 480V ² EXT - 0-10V Dimming leads extended to housing exterior ² CWBB - Cold Weather Battery Backup -20°C to 50°C (-4°F to 122°F (requires deeping housing) SP - Surge Protection	BZA - Bronze WHT - White
	5L - 5,000 Lumens								
	7L - 7,000 Lumens								
	10L - 10,000 Lumens								

Footnotes:

- Consult factory for HV with AirLink Synapse Wireless Digital Controller
- Not compatible with AirLink Synapse Wireless Controls.

Performance

Lumens	3000K		4000K		5000K		Wattage
	Delivered Lumens	Efficacy	Delivered Lumens	Efficacy	Delivered Lumens	Efficacy	
3L	3387	138.16	3387	138.16	3524	143.57	25
5L	5528	134.18	5528	134.18	5717	137.61	40
7L	7693	129.69	7693	129.69	7898	131.28	60
10L	9830	123.54	9830	123.54	10030	123.63	80

Energy Savings

LED		HID			
Wattage	Annual Cost	Source Wattage	Total Wattage Used	Annual Cost	Annual Savings
25	\$11	50	72	\$52	\$41
		70	90	\$59	\$48
		100	129	\$77	\$66
40	\$18	100	129	\$77	\$59
		150	185	\$100	\$82
		175	210	\$112	\$94
60	\$26	200	232	\$128	\$102
		250	285	\$150	\$124
		400	458	\$226	\$200
80	\$35	200	232	\$128	\$93
		250	285	\$150	\$115
		400	458	\$226	\$191