



# Wide Enclosed & Gasketed (EGW)

## Wet Location Linear LED Fixture



OVERVIEW	
Lumen Package (lm)	10,000 - 27,000
Color Temperature (K)	4000, 5000
Wattage Range (W)	70 - 191
Efficacy Range (LPW)	131 - 148
Weight lbs (kg)	2 ft. - 13 (5.9) 4 ft. - 24 (10.9)

### QUICK LINKS

## FEATURES & SPECIFICATIONS

### Construction

- Fiberglass reinforced plastic housing with internal closed-cell polyurethane structure gasketing
- Polymeric housing provides IP65/IP66/IP67 ingress protection and superior chemical resistance
- Inner gear tray constructed of code gauge steel with a finish coating of high reflectance polyester powder (min. 92%)
- High pressure hose down (1500 PSI)
- NEMA 4x rated
- Hinged gear tray for easy driver access
- Optical System
- Injection molded acrylic lens with high impact additive
- Smooth lens is available in diffuse and clear
- Minimum CRI of 80

### Electrical

- High-performance driver features overvoltage, under-voltage, short-circuit and over temperature protection. Custom lumen and wattage packages available.

- Standard Universal Voltage (120-277 VAC) Input 50/60 Hz or optional 347V.
- Total harmonic distortion (THD): <20%
- Operating temperature: -35°C to +45°C (-31°F to +113°F)
- Power factor (PF): >.95
- Driver module is sealed to IP65, IP66, and IP67 standards with a Class A sound rating and 0-10V dimming (10%-100%) standard
- 0-10V dimming (10%-100%) standard
- Standard Universal Voltage (120-277 Vac) Input 50/60 or optional High Voltage (347- 480V)
- L70 Calculated Life: >200K hours

### Controls

- There are 2 optional sensor choices available:
  - An external side-mount passive infrared wet location occupancy sensor
  - An internal microwave occupancy sensor with Airlink Blue mesh technology features using the Airlink Blue IOS or Android app (see below)

### Installation

- 2 standard stainless steel mounting brackets are furnished with each fixture
- Optional stainless steel V bracket or surface bracket accessory available

### Warranty

- LSI luminaires carry a 5-year limited warranty. Refer to <https://www.lsicorp.com/resources/terms-conditions-warranty/> for more information.

### Listings

- Suitable for wet locations
- NEMA 4x rated enclosure
- NSF rated (Splash Zone 2)
- Listed to UL 1598 and UL 8750.
- Meets Buy American Act requirements.
- Title 24 Compliant; see local ordinance for qualification information.
- DesignLights Consortium® (DLC) Premium qualified product. Not all versions of this product may be DLC Premium qualified. Please check the DLC Qualified Products List at [www.designlights.org/QPL](http://www.designlights.org/QPL) to

# Wide Enclosed & Gasketed (EGW)

Type : \_\_\_\_\_

 **Have questions?** Call us at (800) 436-7800

## ORDERING GUIDE

TYPICAL ORDER EXAMPLE: EGW 2 LED 14L DA S UNV DIM 40 80						
Prefix	Fixture Length	Light Source	Lumen Package	Lens Type	Distribution	Voltage
EGW - Wide Wet Location LED	2 - 2 ft. 4 - 4 ft.	LED	10L - 10,000 <sup>1</sup> 14L - 14,000 17L - 17,000 27L - 27,000 <sup>2</sup> Custom Lumen <sup>3</sup>	DA - Diffuse Acrylic CA - Clear Acrylic	S - Symmetric	UNV - Universal Voltage (120-277V) HV - High Voltage (347-480V)
Dimming	Color Temperature	Color Rendering	Controls	Options	Mounting / Wiring	
DIM - Dims to 10% (0-10V dimming)	40 - 4000K 50 - 5000K	80 - 80 CRI	OCSWL - Wet Location Occupancy Sensor ALBCMWS - Airlink Blue integrated microwave motion sensor (see photo in dimensions section)	EM - 1,400 Emergency Backup	Standard - Mounting clips and bails included E6C - 6 ft. black cord, no plug (V hook hangers included) HUB - Use with center mount applications (3/4" NPT HUB in BACK/TOP)	



**Need more information?**  
[Click here for our glossary](#)

**Have additional questions?**  
Call us at (800) 436-7800



## ACCESSORY ORDERING INFORMATION

Part Number	Order Number	Description
310967	LCH10	10 ft. Loop Cable Hanging Set (Qty. 2)
357201	LCH20	20 ft. Loop Cable Hanging Set (Qty. 2)

## PERFORMANCE

Delivered Lumens <sup>4</sup>							
Fixture Length	Lumen Package	Distribution	4000K		5000K		Wattage
			Delivered Lumens	Efficacy	Delivered Lumens	Efficacy	
2	10L	S	10,482	150	10,482	150	79
	14L		13,705	144	13,705	144	94
	17L		17,098	132	17,098	132	129
4	14L	S	14,269	150	14,269	150	104
	17L		18,129	139	18,129	139	130
	27L		27,753	145	27,753	145	191

<sup>1</sup> Available in 2 ft. only.

<sup>2</sup> Available in 4 ft. only.

<sup>3</sup> Custom lumen and wattages available, consult factory. Values are within industry standard tolerances and not DLC listed.

<sup>4</sup> LEDs are frequently updated therefore values are nominal.



# Wide Enclosed & Gasketed (EGW)

Type : \_\_\_\_\_

 Have questions? Call us at (800) 436-7800

## PHOTOMETRICS

Luminaire photometry has been conducted by a NVLAP accredited testing laboratory in accordance with IESNA LM-79-08. As specified by IESNA LM-79-08 the entire luminaire is tested as the source resulting in a luminaire efficiency of 100%.

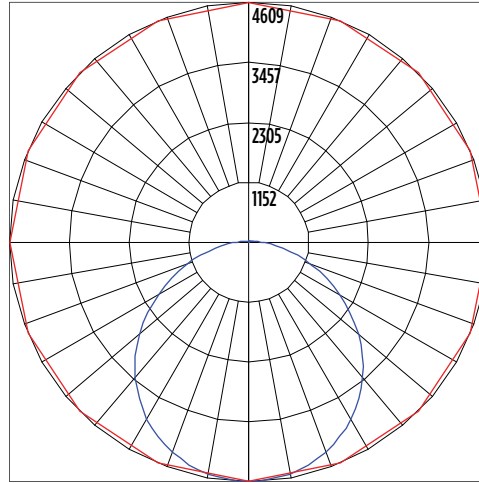
See the individual product page on <https://www.lsicorp.com/> for detailed photometric data.

### EGW-2-DA-14L

Luminaire Data	
Wide Distribution	
Description	4000 Kelvin, 80 CRI
Delivered Lumens	13,569
Watts	95
Efficacy	143

Zonal Lumen Summary		
Zone	Lumens	% Luminaire
Low (0-30°)	3,599	27%
Medium (30-60°)	6,743	50%
High (60-80°)	2,523	19%
Very High (80-90°)	417	3%
Uplight (90-180°)	286	2%
<b>Total Flux</b>	<b>13,569</b>	<b>100%</b>

Polar Curve



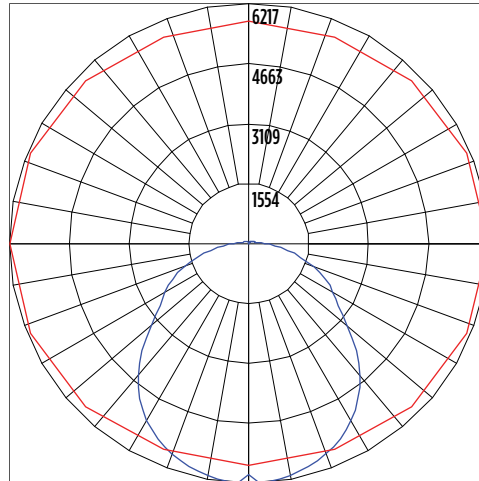
■ Vertical Plane ■ Horizontal Cone

### EGW-4-DA-17L

Luminaire Data	
Wide Distribution	
Description	4000 Kelvin, 80 CRI
Delivered Lumens	17,950
Watts	130
Efficacy	138

Zonal Lumen Summary		
Zone	Lumens	% Luminaire
Low (0-30°)	4,736	26%
Medium (30-60°)	8,802	49%
High (60-80°)	3,244	18%
Very High (80-90°)	586	3%
Uplight (90-180°)	579	3%
<b>Total Flux</b>	<b>17,950</b>	<b>100%</b>

Polar Curve



■ Vertical Plane ■ Horizontal Cone

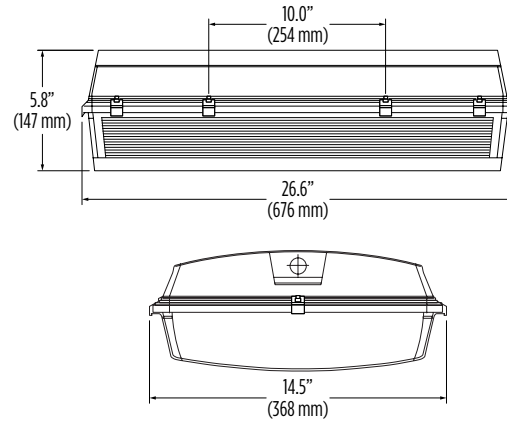
# Wide Enclosed & Gasketed (EGW)

Type : \_\_\_\_\_

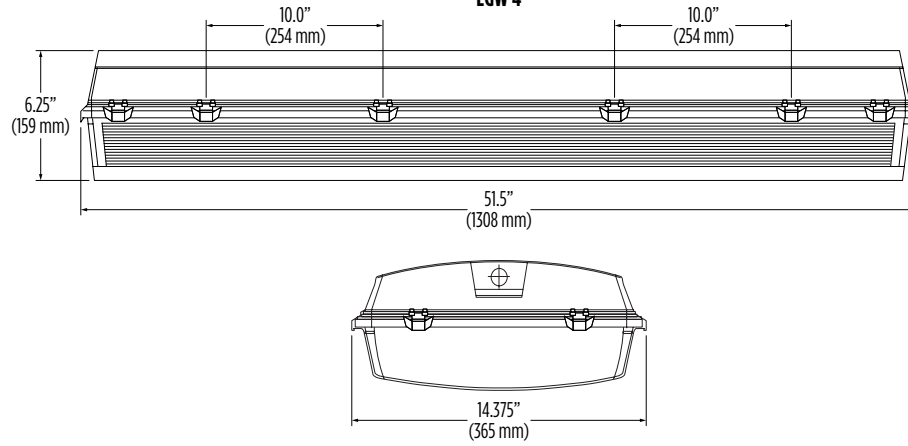
 Have questions? Call us at (800) 436-7800

## PRODUCT DIMENSIONS

**EGW 2**



**EGW 4**



**ALBCMWS sensor installed in housing**



# Wide Enclosed & Gasketed (EGW)

Type : \_\_\_\_\_

 **Have questions?** Call us at (800) 436-7800

## CONTROLS

### Integral Bluetooth™ Motion and Photocell Sensor (IMSBTxL)

Slim low profile sensor provides multi-level control based on motion and/or daylight. Sensor controls 0-10 VDC LED drivers and is IP66 rated for cold and wet locations (-40°F to 167°F). Two unique PIR lenses are available and used based on fixture mounting height. All control parameters are adjustable via an iOS or Android App capable of storing and transmitting sensor profiles.

[Click here to learn more details about IMSBT](#)



LEVITON App



Apple



Android

### AirLink Blue (ALBCSx)

Wireless Bluetooth Mesh Outdoor Lighting Control System that provides energy savings, code compliance and enhanced safety/security for parking lots and parking garages. Three key components; Bluetooth wireless radio/sensor controller, Time Keeper and an iOS App. Capable of grouping multiple fixtures and sensors as well as scheduling time-based events by zone. Radio/Sensor Controller is factory integrated into Area/Site, Wall Mounted, Parking Garage and Canopy luminaires.

[Click here to learn more details about AirLink Blue](#)



AirLink Blue App



Apple

### Sensor Sequence of Operations

Standard Programming	On Event	Off Event	On Light Level	Dim Light Level	Daylight Harvesting	Delay To Off	Sensitivity
OMSBTxL/IMSBTxL	Motion	No Motion	100%	N/A	On; Auto Calibration	20 minutes	High
OMS	Motion	No Motion	N/A	N/A	N/A	30 seconds	Auto

Operation	Description
<b>On Event</b>	Trigger that activates lights to turn on; either automatic via motion detected or manually activated via push of button.
<b>Off Event</b>	Trigger that activates lights to turn off; either automatic via no motion detected or manually activated via push of button.
<b>On Light Level</b>	The light level that the fixtures will turn on to when ON EVENT occurs.
<b>Dim Light Level</b>	The light level that the fixtures will dim down to when no motion is detected.
<b>Delay to Dim</b>	The amount of time after which no motion is detected that the fixtures will be triggered to dim down. This sequence is optional, and sensor can be programmed to only trigger the fixture to turn off by entering 100% in this field.
<b>Delay to Off</b>	The amount of time after which no motion is detected that the fixtures will be triggered to turn off. If delay to dim is part of the programmed functionality, this is the amount of time after which no motion is detected after the fixture have already dimmed down.
<b>Sensitivity</b>	The sensitivity can be set to high, medium, low, or auto where applicable. High will detect smaller, simple motions. Low will only detect larger more complex motions. Auto temperature calibration adjusts the PIR sensitivity as ambient temperature rises to increase detection of heat movement through the field of view.