



Opulence Small Side Arm Mount (OPS SA)

Outdoor Area Light



OVERVIEW

Lumen Package (lm)	3,000 - 14,000
Wattage Range (W)	20 - 100
Efficacy Range (LPW)	128 - 165
Weight lbs (kg)	16 (7.3)

QUICK LINKS

FEATURES & SPECIFICATIONS

Construction

- Rugged die-cast aluminum housing.
- Fixtures are finished with LSI's DuraGrip® polyester powder coat finishing process. The DuraGrip finish withstands extreme weather changes without cracking or peeling. Other standard LSI finishes available. Consult factory.

Optical System

- High density LED optical system delivers industry leading optical performance and visual comfort.
- 7 distribution types 3W, 4F, 5Q, 5C, 5R, 5D, AD
- Diffused lens version provides maximum visual comfort with reduced brightness and LED pixelization
- Zero uplight.
- Available in 5000K, 4000K, 3500K, 3000K and 2700K color temperatures per ANSI C78.377. Also available in Phosphor Converted Amber with Peak intensity at 610nm.
- Minimum CRI of 80

Electrical

- High-performance driver features overvoltage, under-voltage, short-circuit and over temperature protection (6kV surge standard).
- 0-10V dimming (10% - 100%) standard.

- Standard Universal Voltage (120-277 VAC) Input 50/60 Hz or optional High Voltage (347-480 VAC).
- Total harmonic distortion (THD): <20%
- Operating temperature: -40°C to +40°C (-40°F to +104°F).
- Power factor (PF): >.90
- Input power stays constant over life.
- Field replaceable 10kV surge protection device meets a minimum Category C Low operation (per ANSI/IEEE C62.41.2).
- Driver is fully encased in potting material for moisture resistance and complies with FCC standards. Driver and key electronic components can easily be accessed.

Controls

- Integral passive infrared Bluetooth™ motion and photocell sensor options. Fixtures operate independently and can be commissioned via an iOS or Android configuration app.
- LSI's AirLink™ Blue lighting control system is a simple feature rich wireless Bluetooth mesh network. The integrated fixture sensor module provides wireless control of grouped fixtures based on motion sensors, daylight or a fully customizable schedule. Updates and modifications to the control strategy are easily implemented via an intuitive iOS app.

Installation

- Designed to mount to square or round poles.
- Utilizes LSI's B2 drill pattern.

Warranty

- LSI luminaires carry a 5-year limited warranty. Refer to <https://www.lsicorp.com/resources/terms-conditions-warranty/> for more information.

Listings

- Listed to UL 1598 and UL 8750.
- Meets Buy American Act requirements.
- IDA compliant; with 3000K and warmer color temperature selection.
- Title 24 Compliant; see local ordinance for qualification information.
- Suitable for wet locations.
- IP66 rated Luminaire per IEC 60598-1.
- 3G rated for ANSI C136.31 high vibration applications.
- DesignLights Consortium® (DLC) Premium qualified product. Not all versions of this product may be DLC Premium qualified. Please check the DLC Qualified Products List at www.designlights.org/QPL to confirm which versions are qualified.

Opulence Small Side Arm Mount (OPS SA)

Type: _____

 **Have questions?** Call us at (800) 436-7800

ORDERING GUIDE

TYPICAL ORDER EXAMPLE: OPS SA 8L 4F UNV 40K8 BLK ALBCS1					
Prefix	Mounting	Lumen Package ¹	Distribution	Voltage	Color Temperature / Rendering
OPS - Opulence Small	SA - Side Arm Mount	3L - 3,000 5L - 5,000 6L - 6,000 8L - 8,000 10L - 10,000 12L - 12,000 14L - 14,000	3W - Type 3 (Wide Throw) 4F - Type 4 (Forward Throw) 5Q - Type 5 Square 5D - Type 5 Diffused 5R - Type 5 Rectangular 5C - Type 5 Concentrated AD - Asymmetric Diffused	UNV - Universal Voltage (120-277V) HV - High Voltage (347-480V)	27K8 - 2700K CCT / 80 CRI 30K8 - 3000K CCT / 80 CRI 35K8 - 3500K CCT / 80 CRI 40K8 - 4000K CCT / 80 CRI 50K8 - 5000K CCT / 80 CRI AMB - Phosphor Converted Amber ²
Finish	Controls			Options	
BLK - Black BRZ - Dark Bronze GMG - Gun Metal Gray GPT - Graphite MSV - Metallic Silver PLP - Platinum Plus WHT - White	Blank - None Wireless Controls System ALBCS1 - AirLink Blue Wireless Motion & Photo Sensor Controller (8-24' MH) ALBCS2 - AirLink Blue Wireless Motion & Photo Sensor Controller (25-40' MH) Stand-Alone Controls EXT - 0-10v Dimming leads extended to housing exterior IMSBT1L - Integral Bluetooth™ Motion and Photocell Sensor (8-24' MH) ³ IMSBT2L - Integral Bluetooth™ Motion and Photocell Sensor (25-40' MH) ³			Blank - None BB - Battery Back-up (0°C) ⁴ CWBB - Cold Weather Battery Back-up (-20°C) ⁴	



Need more information?
[Click here for our glossary](#)

Have additional questions?
Call us at (800) 436-7800



CONTROLS ACCESSORIES ORDERING INFORMATION⁴

Order Number	Description
122514	Twist Lock Photocell (120V) for use with CR7P
122515	Twist Lock Photocell (208-277) for use with CR7P
122516	Twist Lock Photocell (347V) for use with CR7P
1225180	Twist Lock Photocell (480V) for use with CR7P
661409	AirLink 5 Pin Twist Lock Controller
661410	AirLink 7 Pin Twist Lock Controller
149328	Shorting Cap for use with CR7P

FUSING ACCESSORIES ORDERING INFORMATION⁵

Order Number	Description
FK120	Single Fusing (120V)
FK277	Single Fusing (277V)
DFK347	Double Fusing (347V)
DFK480	Double Fusing (480V)

MOUNTING ACCESSORIES ORDERING INFORMATION⁶

Order Number ⁷	Description
674299CLR	Square Pole Tenon Adapter
740022CLR	15° Square Pole Quick Mount Bracket
750441CLR	Wall Mount Bracket
751534CLR	Square Pole Quick Mount Bracket
BKA 2RNM TN120 CLR	Round Pole Tenon Adapter
BKS PQMH RD B2 CLR	Round Pole Quick Mount Bracket
BKS PQ15 RD B2 CLR	15° Round Pole Quick Mount Bracket
483859CLR	Decorative Base Cover (4 / 5" Round Poles)
751632	10' Linear Bird Spike Kit (4' Recommended per Luminaire)

¹ 120-277V Only. Not available with 14L Lumen Package.

² Amber LEDs not available in 12L or 14L lumen packages

³ IMSBTxL is field configurable via the Leviton app that can be downloaded from your smartphone's app store.

⁴ Control device or shorting cap must be ordered separately. See Accessory Ordering Information.

⁵ Fusing must be located in hand hole of pole.

⁶ Accessories are shipped separately and field installed.

⁷ "CLR" to be replaced by paint finish selection. See Finish options for paint color selections.



Opulence Small Side Arm Mount (OPS SA)

Type : _____

 Have questions? Call us at (800) 436-7800

PERFORMANCE

Delivered Lumens																		
Lumen Package	Distribution	CRI	2700K CCT			3000K CCT			3500K CCT			4000K CCT			5000K CCT			Wattage
			Delivered Lumens	Efficacy	BUG Rating	Delivered Lumens	Efficacy	BUG Rating	Delivered Lumens	Efficacy	BUG Rating	Delivered Lumens	Efficacy	BUG Rating	Delivered Lumens	Efficacy	BUG Rating	
3L	5Q	80	3,024	149	B1-U0-G1	3,122	153	B2-U0-G1	3,139	154	B2-U0-G1	3,100	152	B2-U0-G1	3,228	159	B2-U0-G1	20
	5C		3,145	155	B2-U0-G0	3,247	160	B2-U0-G0	3,265	160	B2-U0-G0	3,225	158	B2-U0-G0	3,358	165	B2-U0-G0	
	5R		2,958	145	B1-U0-G1	3,054	150	B2-U0-G2	3,071	151	B2-U0-G2	3,033	149	B2-U0-G2	3,158	156	B2-U0-G2	
	4F		3,040	149	B1-U0-G1	3,139	154	B1-U0-G1	3,157	155	B1-U0-G1	3,118	153	B1-U0-G1	3,246	159	B1-U0-G1	
	3W		3,001	147	B1-U0-G1	3,098	152	B1-U0-G1	3,116	153	B1-U0-G1	3,077	151	B1-U0-G1	3,204	157	B1-U0-G1	
	5D		2,813	138	B1-U0-G1	2,904	143	B1-U0-G1	2,920	143	B1-U0-G1	2,884	142	B1-U0-G1	3,003	148	B1-U0-G1	
	AD		2,832	139	B1-U0-G1	2,924	144	B1-U0-G1	2,940	144	B1-U0-G1	2,903	143	B1-U0-G1	3,023	149	B1-U0-G1	
5L	5Q	80	4,999	147	B2-U0-G1	5,161	151	B2-U0-G1	5,190	152	B2-U0-G1	5,126	150	B2-U0-G1	5,337	156	B2-U0-G1	34
	5C		5,199	152	B2-U0-G0	5,368	157	B2-U0-G0	5,398	158	B2-U0-G0	5,331	156	B2-U0-G0	5,551	163	B2-U0-G0	
	5R		4,890	143	B2-U0-G2	5,049	148	B2-U0-G2	5,077	149	B2-U0-G2	5,014	147	B2-U0-G2	5,221	153	B2-U0-G2	
	4F		5,026	147	B1-U0-G1	5,190	152	B1-U0-G1	5,218	153	B1-U0-G1	5,154	151	B1-U0-G1	5,366	157	B1-U0-G1	
	3W		4,961	145	B1-U0-G1	5,122	150	B1-U0-G1	5,151	151	B1-U0-G1	5,087	149	B1-U0-G1	5,296	155	B1-U0-G1	
	5D		4,650	136	B2-U0-G1	4,801	141	B2-U0-G1	4,828	142	B2-U0-G1	4,768	140	B2-U0-G1	4,965	146	B2-U0-G1	
	AD		4,681	137	B1-U0-G1	4,833	142	B1-U0-G1	4,860	142	B1-U0-G1	4,800	141	B1-U0-G1	4,998	147	B1-U0-G1	
6L	5Q	80	6,058	147	B2-U0-G1	6,254	151	B2-U0-G1	6,289	152	B2-U0-G1	6,211	150	B2-U0-G1	6,467	156	B2-U0-G1	41
	5C		6,300	152	B2-U0-G0	6,505	157	B2-U0-G0	6,541	158	B2-U0-G0	6,460	156	B2-U0-G0	6,726	163	B2-U0-G0	
	5R		5,926	143	B2-U0-G2	6,118	148	B3-U0-G3	6,152	149	B3-U0-G3	6,076	147	B3-U0-G3	6,326	153	B3-U0-G3	
	4F		6,091	147	B2-U0-G1	6,289	152	B2-U0-G1	6,324	153	B2-U0-G1	6,245	151	B2-U0-G1	6,503	157	B2-U0-G1	
	3W		6,012	145	B2-U0-G1	6,207	150	B2-U0-G2	6,241	151	B2-U0-G2	6,164	149	B2-U0-G2	6,418	155	B2-U0-G2	
	5D		5,635	136	B2-U0-G1	5,818	141	B2-U0-G1	5,850	142	B2-U0-G1	5,778	140	B2-U0-G1	6,016	146	B2-U0-G1	
	AD		5,673	137	B2-U0-G1	5,857	142	B2-U0-G1	5,889	142	B2-U0-G1	5,817	141	B2-U0-G1	6,056	147	B2-U0-G1	
8L	5Q	80	7,938	145	B3-U0-G1	8,196	149	B3-U0-G1	8,241	150	B3-U0-G1	8,139	148	B3-U0-G1	8,475	154	B3-U0-G1	55
	5C		8,256	150	B3-U0-G1	8,524	155	B3-U0-G1	8,571	156	B3-U0-G1	8,465	154	B3-U0-G1	8,814	161	B3-U0-G1	
	5R		7,765	141	B3-U0-G3	8,017	146	B3-U0-G3	8,062	147	B3-U0-G3	7,962	145	B3-U0-G3	8,290	151	B3-U0-G3	
	4F		7,982	145	B2-U0-G1	8,241	150	B2-U0-G1	8,287	151	B2-U0-G1	8,184	149	B2-U0-G1	8,521	155	B2-U0-G1	
	3W		7,878	143	B2-U0-G2	8,134	148	B2-U0-G2	8,179	149	B2-U0-G2	8,078	147	B2-U0-G2	8,411	153	B2-U0-G2	
	5D		7,384	134	B2-U0-G1	7,624	139	B2-U0-G1	7,666	140	B2-U0-G1	7,571	138	B2-U0-G1	7,883	144	B2-U0-G1	
	AD		7,434	135	B2-U0-G2	7,675	140	B2-U0-G2	7,717	141	B2-U0-G2	7,622	139	B2-U0-G2	7,936	145	B2-U0-G2	
10L	5Q	80	9,969	142	B3-U0-G1	10,292	146	B3-U0-G1	10,350	147	B3-U0-G1	10,222	145	B3-U0-G1	10,643	151	B3-U0-G1	70
	5C		10,368	147	B3-U0-G1	10,705	152	B3-U0-G1	10,764	153	B3-U0-G1	10,631	151	B3-U0-G1	11,069	157	B3-U0-G1	
	5R		9,752	138	B3-U0-G3	10,068	143	B3-U0-G3	10,124	144	B3-U0-G3	9,999	142	B3-U0-G3	10,411	148	B3-U0-G3	
	4F		10,024	142	B2-U0-G2	10,349	147	B2-U0-G2	10,407	148	B2-U0-G2	10,278	146	B2-U0-G2	10,701	152	B2-U0-G2	
	3W		9,893	140	B2-U0-G2	10,214	145	B2-U0-G2	10,271	146	B2-U0-G2	10,144	144	B2-U0-G2	10,562	150	B2-U0-G2	
	5D		9,273	132	B3-U0-G1	9,574	136	B3-U0-G1	9,628	137	B3-U0-G1	9,508	135	B3-U0-G1	9,900	141	B3-U0-G1	
	AD		9,335	133	B2-U0-G2	9,638	137	B2-U0-G2	9,692	138	B2-U0-G2	9,572	136	B2-U0-G2	9,967	142	B2-U0-G2	
12L	5Q	80	11,935	140	B3-U0-G2	12,322	144	B3-U0-G2	12,391	145	B3-U0-G2	12,237	143	B3-U0-G2	12,742	149	B3-U0-G2	85
	5C		12,413	145	B3-U0-G1	12,816	150	B3-U0-G1	12,887	151	B3-U0-G1	12,728	149	B3-U0-G1	13,252	155	B3-U0-G1	
	5R		11,675	137	B3-U0-G3	12,054	141	B3-U0-G3	12,121	142	B3-U0-G3	11,971	140	B3-U0-G3	12,464	146	B3-U0-G3	
	4F		12,001	140	B2-U0-G2	12,390	145	B2-U0-G2	12,459	146	B2-U0-G2	12,305	144	B2-U0-G2	12,812	150	B2-U0-G2	
	3W		11,845	139	B2-U0-G2	12,229	143	B2-U0-G2	12,297	144	B2-U0-G2	12,145	142	B2-U0-G2	12,645	148	B3-U0-G3	
	5D		11,102	130	B3-U0-G2	11,463	134	B3-U0-G2	11,526	135	B3-U0-G2	11,384	133	B3-U0-G2	11,853	139	B3-U0-G2	
	AD		11,176	131	B3-U0-G2	11,539	135	B3-U0-G2	11,603	136	B3-U0-G2	11,460	134	B3-U0-G2	11,932	140	B3-U0-G2	
14L	5Q	80	13,798	138	B3-U0-G2	14,246	142	B3-U0-G2	14,325	143	B3-U0-G2	14,148	141	B3-U0-G2	14,731	147	B3-U0-G2	100
	5C		14,351	142	B3-U0-G1	14,817	147	B3-U0-G1	14,899	148	B3-U0-G1	14,715	146	B3-U0-G1	15,321	152	B3-U0-G1	
	5R		13,498	135	B3-U0-G3	13,936	139	B3-U0-G3	14,013	140	B3-U0-G3	13,840	138	B3-U0-G3	14,410	144	B3-U0-G3	
	4F		13,874	138	B2-U0-G2	14,324	143	B2-U0-G2	14,404	144	B2-U0-G2	14,226	142	B2-U0-G2	14,812	148	B3-U0-G2	
	3W		13,694	137	B3-U0-G3	14,138	141	B3-U0-G3	14,217	142	B3-U0-G3	14,041	140	B3-U0-G3	14,620	146	B3-U0-G3	
	5D		12,836	128	B3-U0-G2	13,252	132	B3-U0-G2	13,326	133	B3-U0-G2	13,161	131	B3-U0-G2	13,703	136	B3-U0-G2	
	AD		12,921	129	B3-U0-G2	13,341	133	B3-U0-G2	13,415	134	B3-U0-G2	13,249	132	B3-U0-G2	13,795	137	B3-U0-G3	

Note: LED Chips are frequently updated therefore values are nominal.

Opulence Small Side Arm Mount (OPS SA)

Type : _____

 Have questions? Call us at (800) 436-7800

PERFORMANCE

Delivered Lumens - PC Amber						
Lumen Package	Distribution	CRI	PC Amber			Wattage
			Delivered Lumens	Efficacy	BUG Rating	
3L	5Q	80	2,170	99	B1-U0-G1	22
	5C		2,257	103	B1-U0-G0	
	5R		2,123	97	B1-U0-G1	
	4F		2,113	96	B1-U0-G1	
	3W		2,080	95	B1-U0-G1	
	5D		2,019	92	B1-U0-G0	
	AD		2,032	92	B1-U0-G1	
5L	5Q	80	3,599	100	B2-U0-G1	36
	5C		3,650	101	B2-U0-G0	
	5R		3,434	95	B2-U0-G2	
	4F		3,416	95	B1-U0-G1	
	3W		3,362	93	B1-U0-G1	
	5D		3,265	91	B2-U0-G1	
	AD		3,286	91	B1-U0-G1	
6L	5Q	80	4,122	96	B2-U0-G1	43
	5C		4,288	100	B2-U0-G0	
	5R		4,033	94	B2-U0-G2	
	4F		4,013	93	B1-U0-G1	
	3W		3,950	92	B1-U0-G1	
	5D		3,835	89	B2-U0-G1	
	AD		3,861	90	B1-U0-G1	
8L	5Q	80	5,450	92	B2-U0-G1	59
	5C		5,669	96	B2-U0-G0	
	5R		5,332	90	B2-U0-G2	
	4F		5,306	90	B1-U0-G1	
	3W		5,223	89	B1-U0-G1	
	5D		5,070	86	B2-U0-G1	
	AD		5,104	87	B2-U0-G1	
10L	5Q	80	6,618	89	B3-U0-G1	74
	5C		6,883	93	B2-U0-G0	
	5R		6,474	87	B3-U0-G3	
	4F		6,442	87	B2-U0-G1	
	3W		6,341	86	B2-U0-G2	
	5D		6,156	83	B2-U0-G1	
	AD		6,198	84	B2-U0-G1	

Note: LED Chips are frequently updated therefore values are nominal.

Opulence Small Side Arm Mount (OPS SA)

Type : _____

 Have questions? Call us at (800) 436-7800

PERFORMANCE

Electrical Data (Amps) ¹						
Lumen Package	120V	208V	240V	277V	347V	480V
3L	0.17	0.1	0.08	0.07	0.06	0.04
5L	0.29	0.16	0.14	0.12	0.1	0.07
6L	0.35	0.2	0.17	0.15	0.12	0.09
8L	0.46	0.26	0.23	0.2	0.16	0.11
10L	0.59	0.34	0.29	0.25	0.2	0.15
12L	0.84	0.48	0.42	0.36	0.29	0.21
14L	0.84	0.48	0.42	0.36	0.29	0.21

Electrical Data (Amps) PC Amber ¹						
Lumen Package	120V	208V	240V	277V	347V	480V
3L	0.18	0.11	0.09	0.08	0.06	0.05
5L	0.30	0.17	0.15	0.13	0.10	0.08
6L	0.36	0.21	0.18	0.16	0.12	0.09
8L	0.49	0.28	0.25	0.21	0.17	0.12
10L	0.62	0.36	0.31	0.27	0.21	0.15

Recommended Lumen Maintenance - OPS SA ²					
Ambient Temperature °C	Initial ³	25K hrs. ³	50K hrs. ³	75K hrs. ⁴	100K hrs. ⁴
0-40	100%	99%	96%	93%	90%

¹ Electrical data at 25C (77F). Actual wattage may differ by +/-10%.

² Lumen maintenance values are calculated per TM-21 based on LM-80 data and in-situ luminaire testing.

³ In accordance with IESNA TM-21-11, Projected Values represent interpolated value based on time durations that are within six times (6X) the IESNA LM-80-08 total test duration (in hours) for the device under testing ((DUT) i.e. the packaged LED chip).

⁴ In accordance with IESNA TM-21-11, Calculated Values represent time durations that exceed six times NA LM-80-08 total test duration (in hours) for the device under testing ((DUT) i.e. the packaged LED chip).

Opulence Small Side Arm Mount (OPS SA)

Type : _____

 Have questions? Call us at (800) 436-7800

PHOTOMETRICS

Luminaire photometry has been conducted by a NVLAP accredited testing laboratory in accordance with IESNA LM-79-08. As specified by IESNA LM-79-08 the entire luminaire is tested as the source resulting in a luminaire efficiency of 100%.

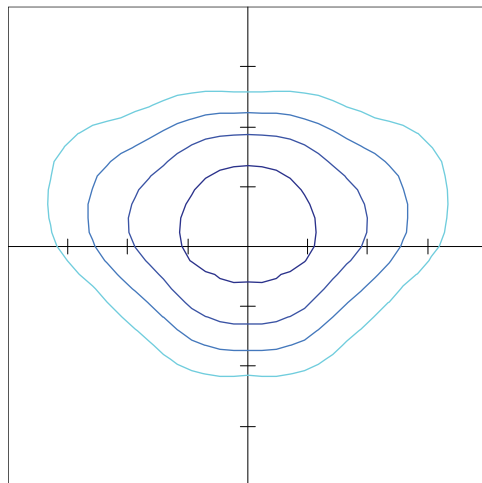
See the individual product page on <https://www.lsicorp.com/> for detailed photometric data.

OPS-SA-14L-3W-40K8

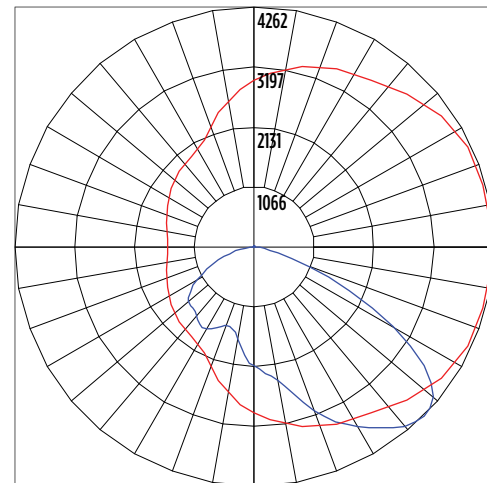
Luminaire Data	
Wide Distribution	
Description	4000 Kelvin, 80 CRI
Delivered Lumens	13,556
Watts	100
Efficacy	136
IES Type	Type III - Very Short
BUG Rating	B3-U0-G3

Zonal Lumen Summary		
Zone	Lumens	% Luminaire
Low (0-30°)	2,591	19%
Medium (30-60°)	7,118	53%
High (60-80°)	3,624	27%
Very High (80-90°)	223	2%
Uplight (90-180°)	0	0%
Total Flux	13556	100%

ISO Footcandle



Polar Curve

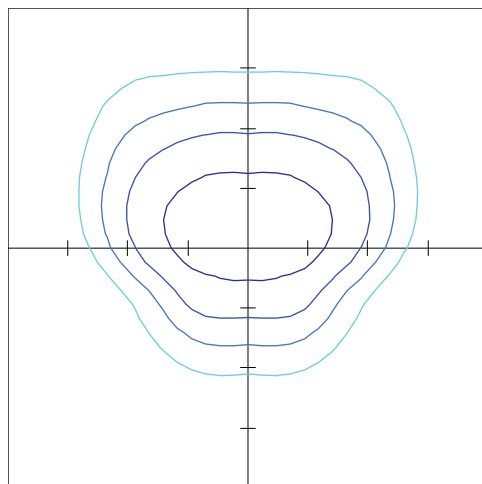


OPS-SA-14L-4F-40K8

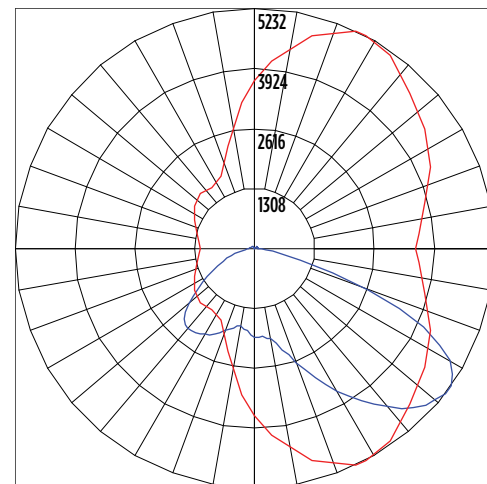
Luminaire Data	
Wide Distribution	
Description	4000 Kelvin, 80 CRI
Delivered Lumens	13,754
Watts	100
Efficacy	138
IES Type	Type IV - Very Short
BUG Rating	B2-U0-G2

Zonal Lumen Summary		
Zone	Lumens	% Luminaire
Low (0-30°)	2437	18%
Medium (30-60°)	7722	56%
High (60-80°)	3440	25%
Very High (80-90°)	155	1%
Uplight (90-180°)	0	0%
Total Flux	13754	100%

ISO Footcandle



Polar Curve



Opulence Small Side Arm Mount (OPS SA)

Type : _____

 Have questions? Call us at (800) 436-7800

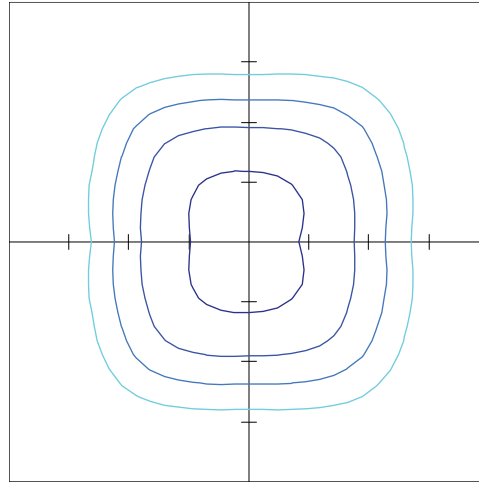
PHOTOMETRICS

OPS-SA-14L-5Q-40K8

Luminaire Data	
Wide Distribution	
Description	4000 Kelvin, 80 CRI
Delivered Lumens	14,148
Watts	100
Efficacy	141
IES Type	Type VS - Short
BUG Rating	B3-U0-G2

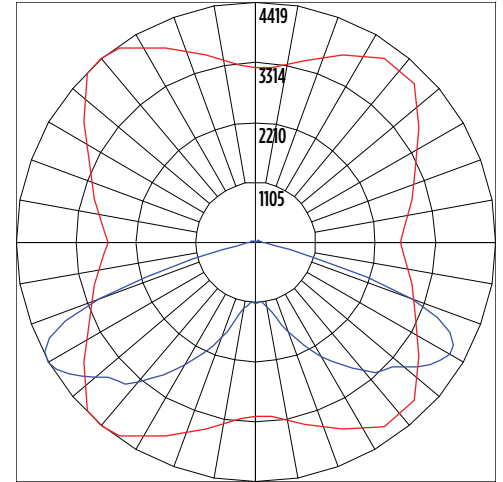
Zonal Lumen Summary		
Zone	Lumens	% Luminaire
Low (0-30°)	1,724	12%
Medium (30-60°)	7,679	54%
High (60-80°)	4,643	33%
Very High (80-90°)	102	1%
Uplight (90-180°)	0	0%
Total Flux	14,148	100%

ISO Footcandle



15' Mounting Height / 15' Grid Spacing
 5 FC 2 FC 1 FC 0.5 FC

Polar Curve



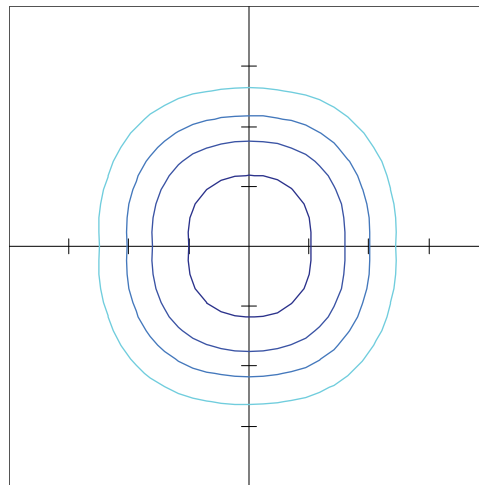
Vertical Plane Horizontal Cone

OPS-SA-14L-5D-40K8

Luminaire Data	
Wide Distribution	
Description	4000 Kelvin, 80 CRI
Delivered Lumens	13,161
Watts	100
Efficacy	132
IES Type	Type VS - Very Short
BUG Rating	B3-U0-G2

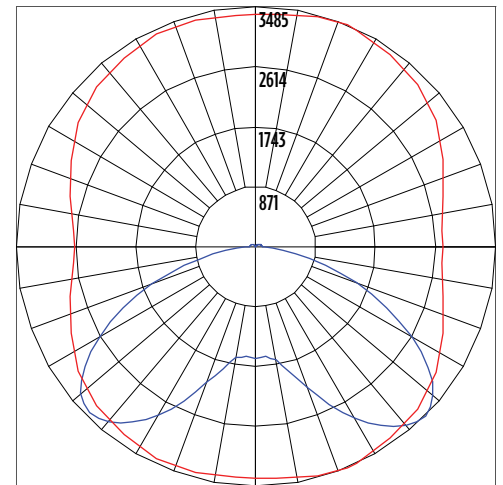
Zonal Lumen Summary		
Zone	Lumens	% Luminaire
Low (0-30°)	2,331	18%
Medium (30-60°)	7,471	57%
High (60-80°)	3,109	24%
Very High (80-90°)	251	2%
Uplight (90-180°)	0	0%
Total Flux	13,161	100%

ISO Footcandle



15' Mounting Height / 15' Grid Spacing

Polar Curve



Opulence Small Side Arm Mount (OPS SA)

Type : _____

 Have questions? Call us at (800) 436-7800

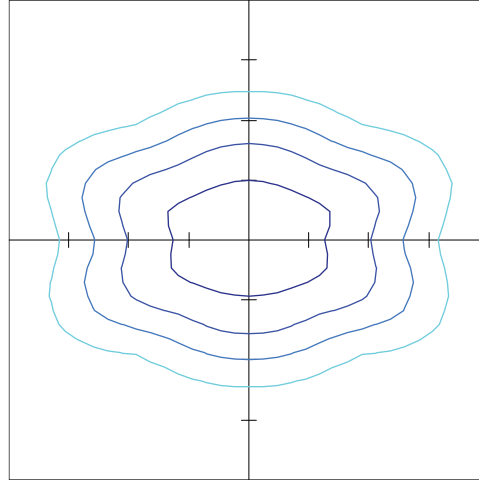
PHOTOMETRICS

OPS-SA-14L-5R-40K8

Luminaire Data	
Wide Distribution	
Description	4000 Kelvin, 80 CRI
Delivered Lumens	13,841
Watts	100
Efficacy	138
IES Type	Type II - Short
BUG Rating	B3-U0-G3

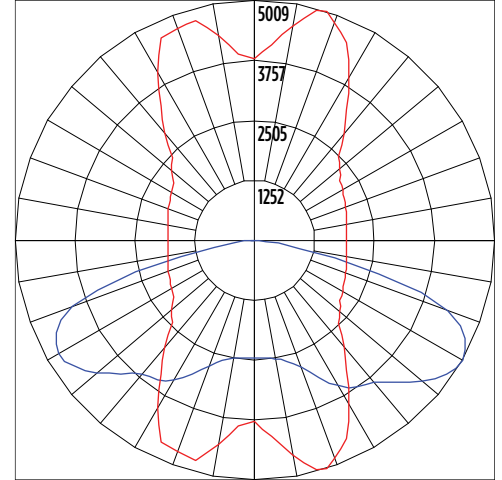
Zonal Lumen Summary		
Zone	Lumens	% Luminaire
Low (0-30°)	2,318	17%
Medium (30-60°)	7,223	52%
High (60-80°)	4,101	30%
Very High (80-90°)	199	1%
Uplight (90-180°)	0	0%
Total Flux	13,841	100%

ISO Footcandle



15' Mounting Height / 15' Grid Spacing
 5 FC 2 FC 1 FC 0.5 FC

Polar Curve



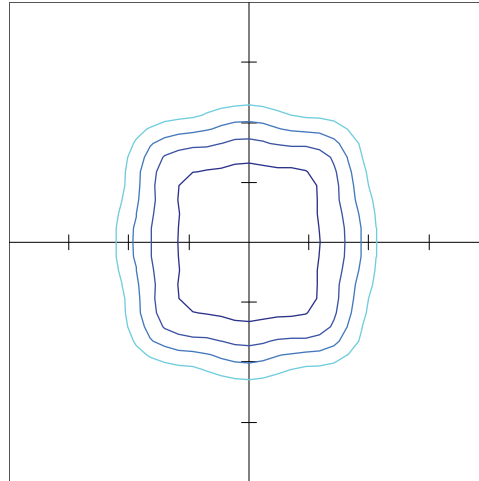
Vertical Plane Horizontal Cone

OPS-SA-14L-5C-40K8

Luminaire Data	
Wide Distribution	
Description	4000 Kelvin, 80 CRI
Delivered Lumens	14,715+B104
Watts	100
Efficacy	147
IES Type	Type VS - Very Short
BUG Rating	B3-U0-G1

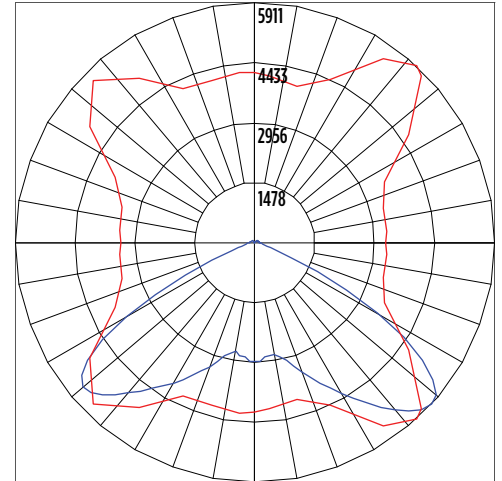
Zonal Lumen Summary		
Zone	Lumens	% Luminaire
Low (0-30°)	3,596	9%
Medium (30-60°)	9,723	43%
High (60-80°)	1,355	48%
Very High (80-90°)	41	1%
Uplight (90-180°)	0	0%
Total Flux	14,715	100%

ISO Footcandle



15' Mounting Height / 15' Grid Spacing
 5 FC 2 FC 1 FC 0.5 FC

Polar Curve



Vertical Plane Horizontal Cone

Opulence Small Side Arm Mount (OPS SA)

Type : _____

 Have questions? Call us at (800) 436-7800

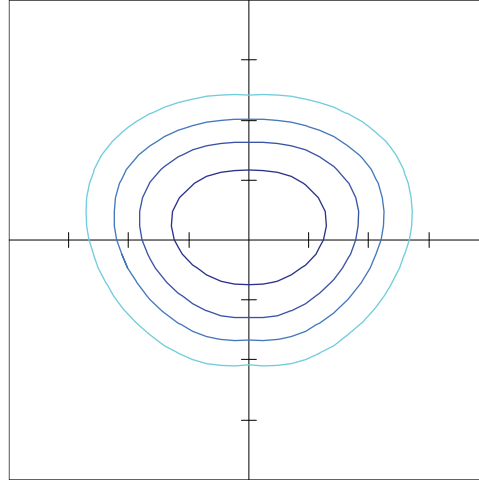
PHOTOMETRICS

OPS-SA-14L-AD-40K8

Luminaire Data	
Wide Distribution	
Description	4000 Kelvin, 80 CRI
Delivered Lumens	13,249
Watts	100
Efficacy	132
IES Type	Type II - Very Short
BUG Rating	B3-U0-G2

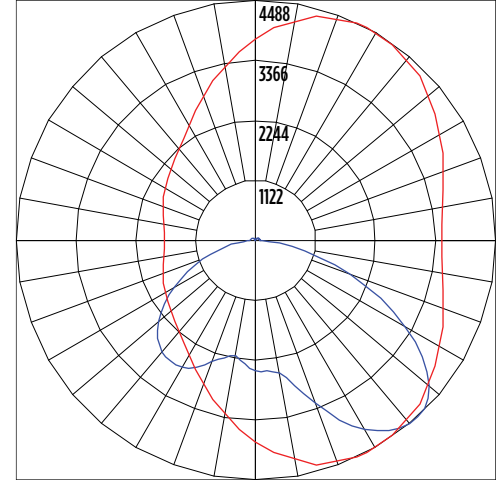
Zonal Lumen Summary		
Zone	Lumens	% Luminaire
Low (0-30°)	3,078	9%
Medium (30-60°)	7,361	43%
High (60-80°)	2,603	48%
Very High (80-90°)	207	1%
Uplight (90-180°)	0	0%
Total Flux	13,249	100%

ISO Footcandle



15' Mounting Height / 15' Grid Spacing
 5 FC 2 FC 1 FC 0.5 FC

Polar Curve



Vertical Plane Horizontal Cone

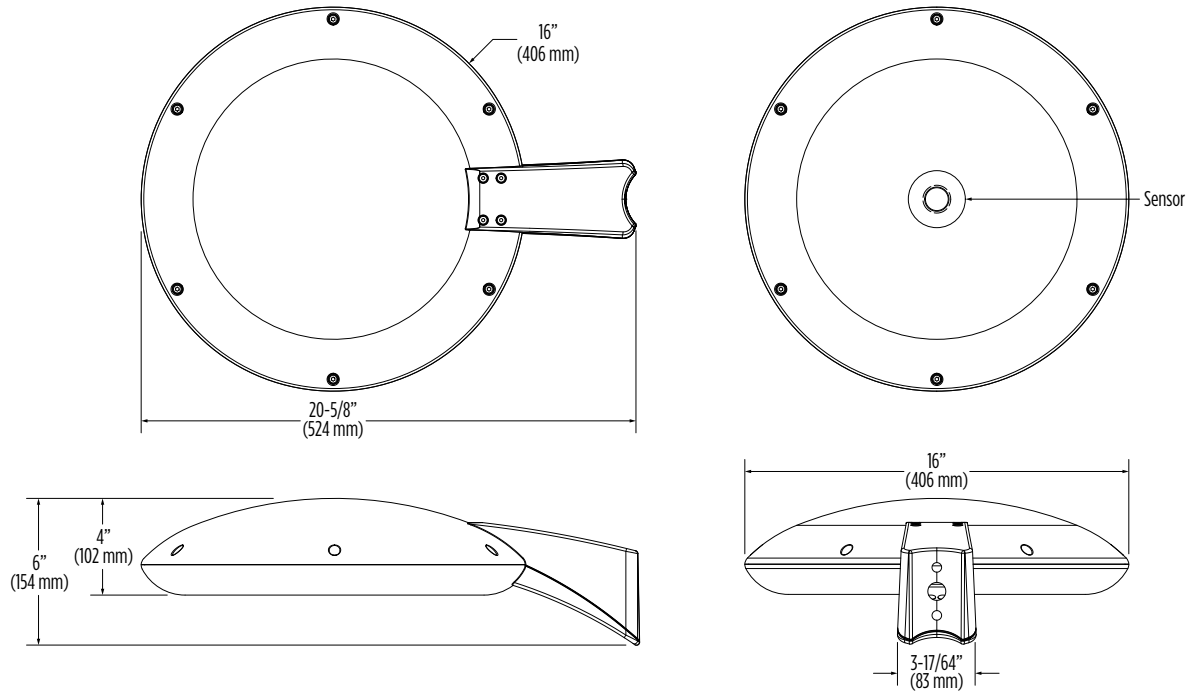
Opulence Small Side Arm Mount (OPS SA)

Type: _____


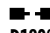




 Have questions? Call us at (800) 436-7800

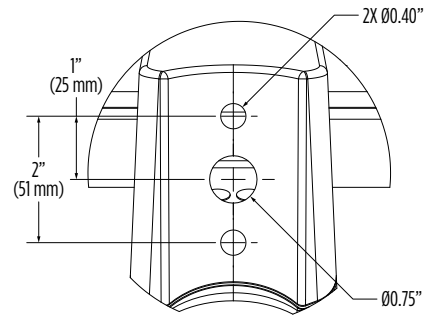
PRODUCT DIMENSIONS

Opulence Small Side Arm Mount
(OPS SA)




Luminaire EPA Chart - OPS SA

Configuration	 Single	 D180°	 D90°	 T90°	 TN120°	 Q90°
EPA	0.6	1.1	1.2	1.8	1.8	1.8



Opulence Small Side Arm Mount (OPS SA)

Type : _____

 **Have questions?** Call us at (800) 436-7800

CONTROLS

Integral Bluetooth™ Motion and Photocell Sensor (IMSBTxL)

Slim low profile sensor provides multi-level control based on motion and/or daylight. Sensor controls 0-10 VDC LED drivers and is IP66 rated for cold and wet locations (-40°F to 167°F). Two unique PIR lenses are available and used based on fixture mounting height. All control parameters are adjustable via an iOS or Android App capable of storing and transmitting sensor profiles.

[Click here to learn more details about IMSBT](#)



LEVITON App



Apple



Android

AirLink Blue (ALBCSx)

Wireless Bluetooth Mesh Outdoor Lighting Control System that provides energy savings, code compliance and enhanced safety/security for parking lots and parking garages. Three key components; Bluetooth wireless radio/sensor controller, Time Keeper and an iOS App. Capable of grouping multiple fixtures and sensors as well as scheduling time-based events by zone. Radio/Sensor Controller is factory integrated into Area/Site, Wall Mounted, Parking Garage and Canopy luminaires.

[Click here to learn more details about AirLink Blue](#)



AirLink Blue App



Apple

Sensor Sequence of Operations

Standard Programming	On Event	Off Event	On Light Level	Dim Light Level	Daylight Harvesting	Delay To Off	Sensitivity
IMSBTxL	Motion	No Motion	100%	N/A	On; Auto Calibration	20 minutes	High

Operation	Description
On Event	Trigger that activates lights to turn on; either automatic via motion detected or manually activated via push of button.
Off Event	Trigger that activates lights to turn off; either automatic via no motion detected or manually activated via push of button.
On Light Level	The light level that the fixtures will turn on to when ON EVENT occurs.
Dim Light Level	The light level that the fixtures will dim down to when no motion is detected.
Delay to Dim	The amount of time after which no motion is detected that the fixtures will be triggered to dim down. This sequence is optional, and sensor can be programmed to only trigger the fixture to turn off by entering 100% in this field.
Delay to Off	The amount of time after which no motion is detected that the fixtures will be triggered to turn off. If delay to dim is part of the programmed functionality, this is the amount of time after which no motion is detected after the fixture have already dimmed down.
Sensitivity	The sensitivity can be set to high, medium, low, or auto where applicable. High will detect smaller, simple motions. Low will only detect larger more complex motions. Auto temperature calibration adjusts the PIR sensitivity as ambient temperature rises to increase detection of heat movement through the field of view.