



Opulence Small Wall Mount (OPS WM)

Outdoor Wall Light



OVERVIEW

Lumen Package (lm)	3,000 - 14,000
Wattage Range (W)	20 - 100
Efficacy Range (LPW)	128 - 165
Weight lbs (kg)	17.0 (7.7)

QUICK LINKS

FEATURES & SPECIFICATIONS

Construction

- Rugged die-cast aluminum housing.
- Fixtures are finished with LSI's DuraGrip® polyester powder coat finishing process. The DuraGrip finish withstands extreme weather changes without cracking or peeling. Other standard LSI finishes available. Consult factory.

Optical System

- High density LED optical system delivers industry leading optical performance and visual comfort.
- 7 distribution types 3W, 4F, 5Q, 5C, 5R, 5D, AD
- Diffused lens version provides maximum visual comfort with reduced brightness and LED pixelization
- Zero uplight.
- Available in 5000K, 4000K, 3500K, 3000K and 2700K color temperatures per ANSI C78.377. Also available in Phosphor Converted Amber with Peak intensity at 610nm.
- Minimum CRI of 80
- External Shield available for field installation (see accessory ordering information and dimensions for details).

Electrical

- High-performance driver features overvoltage, under-voltage, short-circuit and over temperature protection (6kV surge standard).
- 0-10V dimming (10% - 100%) standard.
- Standard Universal Voltage (120-277 VAC) Input 50/60 Hz or optional High Voltage (347-480 VAC).

- Total harmonic distortion (THD): <20%
- Operating temperature: -40°C to +40°C (-40°F to +104°F).
- Power factor (PF): >.90
- Input power stays constant over life.
- Field replaceable 10kV surge protection device meets a minimum Category C Low operation (per ANSI/IEEE C62.41.2).
- Driver is fully encased in potting material for moisture resistance and complies with FCC standards. Driver and key electronic components can easily be accessed.
- Optional 16w battery backup provides 90-minutes of constant power (~2,000-2,500 lumens) to the LED system, ensuring code compliance. A test switch/indicator button is installed on the housing for ease of maintenance. Standard battery rated for 0° to 40° with cold weather battery rated for -20°C to 40°. 120-277V Only.

Controls

- Integral passive infrared Bluetooth™ motion and photocell sensor options. Fixtures operate independently and can be commissioned via an iOS or Android configuration app.
- LSI's AirLink™ Blue lighting control system is a simple feature rich wireless Bluetooth mesh network. The integrated fixture sensor module provides wireless control of grouped fixtures based on motion sensors, daylight or a fully customizable schedule. Updates and modifications to the control strategy are easily implemented via an intuitive iOS app.

Installation

- Universal wall mounting plate mounts directly to vertical surface or 4" junction box (octagonal or square).
- Luminaire hinges to the top of the mounting plate and is secured via two set screws that conceal the hardware.

Warranty

- LSI luminaires carry a 5-year limited warranty. Refer to <https://www.lsicorp.com/resources/terms-conditions-warranty/> for more information.

Listings

- Listed to UL 1,598 and UL 8,750.
- Meets Buy American Act requirements.
- IDA compliant; with 3000K and warmer color temperature selection.
- Title 24 Compliant; see local ordinance for qualification information.
- Suitable for wet locations.
- IP66 rated Luminaire per IEC 60,598-1.
- 3G rated for ANSI C136.31 high vibration applications.
- IK08 rated luminaire per IEC 66262 mechanical impact code with polycarbonate lens (PLY).
- DesignLights Consortium® (DLC) Premium qualified product. Not all versions of this product may be DLC Premium qualified. Please check the DLC Qualified Products List at www.designlights.org/QPL to confirm which versions are qualified.

Opulence Small Wall Mount (OPS WM) Outdoor Wall Light

Type : _____

 **Have questions?** Call us at (800) 436-7800

ORDERING GUIDE

TYPICAL ORDER EXAMPLE: OPS WM 8L 4F UNV 40K8 BLK ALBCS1					
Prefix	Mounting	Lumen Package ¹	Distribution	Voltage	Color Temperature / Rendering
OPS - Opulence Small	WM - Wall Mount	3L - 3,000 5L - 5,000 6L - 6,000 8L - 8,000 10L - 10,000 12L - 12,000 14L - 14,000	3W - Type 3 (Wide Throw) 4F - Type 4 (Forward Throw) 5Q - Type 5 Square 5D - Type 5 Diffused 5R - Type 5 Rectangular 5C - Type 5 Concentrated AD - Asymmetric Diffused	UNV - Universal Voltage (120-277V) HV - High Voltage (347-480V)	27K8 - 2700K CCT / 80 CRI 30K8 - 3000K CCT / 80 CRI 35K8 - 3500K CCT / 80 CRI 40K8 - 4000K CCT / 80 CRI 50K8 - 5000K CCT / 80 CRI AMB - Phosphor Converted Amber ²
Finish	Controls	Options			
BLK - Black BRZ - Dark Bronze GMG - Gun Metal Gray GPT - Graphite MSV - Metallic Silver PLP - Platinum Plus WHT - White	Blank - None Wireless Controls System ALBCS1 - AirLink Blue Wireless Motion & Photo Sensor Controller (8-24' MH) ALBCS2 - AirLink Blue Wireless Motion & Photo Sensor Controller (25-40' MH) Stand-Alone Controls CR7P - 7 Pin Control Receptacle ANSI C136.41 2 IMSBT1L - Integral Bluetooth™ Motion and Photocell Sensor (8-24' MH) ³ IMSBT2L - Integral Bluetooth™ Motion and Photocell Sensor (25-40' MH) ³	Blank - None BB - Battery Back-up (0°C) ⁴ CWBB - Cold Weather Battery Back-up (-20°C) ⁴ SP1 - 10kV Surge Protection Device PLY - Polycarbonate Lens ⁵			



Need more information?
[Click here for our glossary](#)

Have additional questions?
Call us at (800) 436-7800



CONTROLS ACCESSORIES ORDERING INFORMATION⁴

Order Number	Description
122514	Twist Lock Photocell (120V) for use with CR7P
122515	Twist Lock Photocell (208-277) for use with CR7P
122516	Twist Lock Photocell (347V) for use with CR7P
1225180	Twist Lock Photocell (480V) for use with CR7P
661409	AirLink 5 Pin Twist Lock Controller
661410	AirLink 7 Pin Twist Lock Controller
149328	Shorting Cap for use with CR7P

MOUNTING ACCESSORIES ORDERING INFORMATION⁶

Order Number ⁷	Description
739106CLR	Wet Location Surface Conduit/Wiring box
751632	10' Linear Bird Spike Kit (4' Recommended per Luminaire)
781340	EHS - External Shield (Black Finish Only)

¹ 120-277V Only. Not available with 14L Lumen Package.

² Amber LEDs not available in 12L or 14L lumen packages

³ IMSBTxL is field configurable via the Leviton app that can be downloaded from your smartphone's app store.

⁴ Control device or shorting cap must be ordered separately. See Accessory Ordering Information.

⁵ Not available with 5D or AD distributions

⁶ Accessories are shipped separately and field installed.

⁷ "CLR" to be replaced by paint finish selection. See Finish options for paint color selections.



Opulence Small Wall Mount (OPS WM) Outdoor Wall Light

Type : _____

 Have questions? Call us at (800) 436-7800

PERFORMANCE

Delivered Lumens																		
Lumen Package	Distribution	CRI	2700K CCT			3000K CCT			3500K CCT			4000K CCT			5000K CCT			Wattage
			Delivered Lumens	Efficacy	BUG Rating	Delivered Lumens	Efficacy	BUG Rating	Delivered Lumens	Efficacy	BUG Rating	Delivered Lumens	Efficacy	BUG Rating	Delivered Lumens	Efficacy	BUG Rating	
3L	5Q	80	3,151	144	B2-U0-G1	3,297	151	B2-U0-G1	3,444	157	B2-U0-G1	3,590	164	B2-U0-G1	3,590	164	B2-U0-G1	22
	5C		3,230	148	B2-U0-G0	3,380	154	B2-U0-G0	3,530	161	B2-U0-G0	3,680	168	B2-U0-G0	3,680	168	B2-U0-G0	
	5R		3,088	141	B2-U0-G2	3,231	148	B2-U0-G2	3,375	154	B2-U0-G2	3,518	161	B2-U0-G2	3,518	161	B2-U0-G2	
	4F		2,993	137	B1-U0-G1	3,132	143	B1-U0-G1	3,271	149	B1-U0-G1	3,411	156	B1-U0-G1	3,411	156	B1-U0-G1	
	3W		3,119	143	B1-U0-G1	3,264	149	B1-U0-G1	3,409	156	B1-U0-G1	3,554	162	B1-U0-G1	3,554	162	B1-U0-G1	
	5D		2,426	111	B1-U0-G1	2,539	116	B1-U0-G1	2,652	121	B1-U0-G1	2,764	126	B1-U0-G1	2,764	126	B1-U0-G1	
	AD		2,831	142	B1-U0-G1	2,923	146	B1-U0-G1	2,939	147	B1-U0-G1	2,903	145	B1-U0-G1	3,023	151	B1-U0-G1	
5L	5Q	80	4,359	144	B3-U0-G1	4,561	151	B3-U0-G1	4,764	157	B3-U0-G1	4,966	164	B3-U0-G1	4,966	164	B3-U0-G1	30
	5C		4,468	148	B2-U0-G0	4,675	154	B2-U0-G0	4,883	161	B2-U0-G0	5,090	168	B2-U0-G0	5,090	168	B2-U0-G0	
	5R		4,272	141	B2-U0-G2	4,470	148	B2-U0-G2	4,668	154	B2-U0-G2	4,867	161	B2-U0-G2	4,867	161	B2-U0-G2	
	4F		4,141	137	B1-U0-G1	4,333	143	B1-U0-G1	4,525	149	B1-U0-G1	4,718	156	B1-U0-G1	4,718	156	B1-U0-G1	
	3W		4,315	143	B1-U0-G1	4,516	149	B1-U0-G1	4,716	156	B1-U0-G1	4,916	162	B1-U0-G1	4,916	162	B1-U0-G1	
	5D		3,356	111	B1-U0-G1	3,512	116	B1-U0-G1	3,668	121	B1-U0-G1	3,824	126	B1-U0-G1	3,824	126	B1-U0-G1	
	AD		4,681	138	B1-U0-G1	4,833	142	B1-U0-G1	4,860	143	B1-U0-G1	4,800	141	B1-U0-G1	4,998	147	B1-U0-G1	
6L	5Q	80	5,356	140	B3-U0-G1	5,605	146	B3-U0-G1	5,853	153	B3-U0-G1	6,102	159	B3-U0-G1	6,102	159	B3-U0-G1	38
	5C		5,490	143	B2-U0-G0	5,745	150	B2-U0-G0	6,000	156	B2-U0-G0	6,255	163	B2-U0-G0	6,255	163	B2-U0-G0	
	5R		5,249	137	B3-U0-G3	5,492	143	B3-U0-G3	5,736	149	B3-U0-G3	5,980	156	B3-U0-G3	5,980	156	B3-U0-G3	
	4F		5,088	133	B1-U0-G1	5,324	139	B1-U0-G1	5,561	145	B1-U0-G1	5,797	151	B1-U0-G1	5,797	151	B1-U0-G1	
	3W		5,302	138	B1-U0-G1	5,549	145	B1-U0-G1	5,795	151	B1-U0-G1	6,041	157	B1-U0-G1	6,041	157	B1-U0-G1	
	5D		4,124	107	B2-U0-G1	4,316	112	B2-U0-G1	4,507	117	B2-U0-G1	4,699	122	B2-U0-G1	4,699	122	B2-U0-G1	
	AD		5,673	138	B2-U0-G1	5,857	143	B2-U0-G1	5,890	144	B2-U0-G1	5,817	142	B2-U0-G1	6,057	148	B2-U0-G1	
8L	5Q	80	7,228	140	B3-U0-G1	7,564	146	B3-U0-G1	7,899	153	B3-U0-G1	8,235	159	B3-U0-G2	8,235	159	B3-U0-G2	52
	5C		7,409	143	B2-U0-G0	7,753	150	B3-U0-G0	8,097	156	B3-U0-G0	8,441	163	B3-U0-G0	8,441	163	B3-U0-G0	
	5R		7,083	137	B3-U0-G3	7,412	143	B3-U0-G3	7,741	149	B3-U0-G3	8,070	156	B3-U0-G3	8,070	156	B3-U0-G3	
	4F		6,867	133	B1-U0-G2	7,185	139	B1-U0-G2	7,504	145	B1-U0-G2	7,823	151	B1-U0-G2	7,823	151	B1-U0-G2	
	3W		7,156	138	B1-U0-G1	7,488	145	B1-U0-G1	7,820	151	B2-U0-G2	8,153	157	B2-U0-G2	8,153	157	B2-U0-G2	
	5D		5,566	107	B2-U0-G1	5,824	112	B2-U0-G1	6,082	117	B2-U0-G1	6,341	122	B2-U0-G1	6,341	122	B2-U0-G1	
	AD		7,434	135	B2-U0-G2	7,675	140	B2-U0-G2	7,717	140	B2-U0-G2	7,622	139	B2-U0-G2	7,936	144	B2-U0-G2	
10L	5Q	80	8,832	133	B3-U0-G2	9,242	140	B3-U0-G2	9,652	146	B3-U0-G2	10,062	152	B3-U0-G2	10,062	152	B3-U0-G2	66
	5C		9,052	137	B3-U0-G0	9,473	143	B3-U0-G0	9,893	149	B3-U0-G0	10,314	156	B3-U0-G0	10,314	156	B3-U0-G0	
	5R		8,655	131	B3-U0-G3	9,057	137	B3-U0-G3	9,459	143	B3-U0-G3	9,861	149	B3-U0-G3	9,861	149	B3-U0-G3	
	4F		8,390	127	B1-U0-G2	8,780	133	B1-U0-G2	9,169	139	B1-U0-G2	9,559	144	B1-U0-G2	9,559	144	B1-U0-G2	
	3W		8,743	132	B2-U0-G2	9,149	138	B2-U0-G2	9,555	144	B2-U0-G2	9,961	150	B2-U0-G2	9,961	150	B2-U0-G2	
	5D		6,800	103	B2-U0-G1	7,116	107	B2-U0-G1	7,432	112	B2-U0-G1	7,748	117	B2-U0-G1	7,748	117	B2-U0-G1	
	AD		9,335	133	B2-U0-G2	9,638	138	B2-U0-G2	9,692	138	B2-U0-G2	9,572	137	B2-U0-G2	9,966	142	B2-U0-G2	
12L	5Q	80	10,498	133	B4-U0-G2	10,985	139	B4-U0-G2	11,473	145	B4-U0-G2	11,960	151	B4-U0-G2	11,960	151	B4-U0-G2	79
	5C		10,760	136	B3-U0-G0	11,260	142	B3-U0-G0	11,759	148	B3-U0-G0	12,259	155	B3-U0-G0	12,259	155	B3-U0-G0	
	5R		10,288	130	B3-U0-G3	10,765	136	B3-U0-G3	11,243	142	B3-U0-G3	11,721	148	B3-U0-G3	11,721	148	B3-U0-G3	
	4F		9,973	126	B2-U0-G2	10,436	132	B2-U0-G2	10,899	138	B2-U0-G2	11,362	143	B2-U0-G2	11,362	143	B2-U0-G2	
	3W		10,393	131	B2-U0-G2	10,875	137	B2-U0-G2	11,358	143	B2-U0-G2	11,840	149	B2-U0-G2	11,840	149	B2-U0-G2	
	5D		8,083	102	B3-U0-G1	8,458	107	B3-U0-G1	8,834	112	B3-U0-G2	9,209	116	B3-U0-G2	9,209	116	B3-U0-G2	
	AD		11,177	112	B3-U0-G2	11,539	115	B3-U0-G2	11,603	116	B3-U0-G2	11,460	115	B3-U0-G2	11,932	119	B3-U0-G2	
14L	5Q	80	12,190	118	B4-U0-G2	12,756	123	B4-U0-G2	13,322	129	B4-U0-G2	13,888	134	B4-U0-G2	13,888	134	B4-U0-G2	103
	5C		12,494	121	B3-U0-G0	13,075	126	B3-U0-G0	13,655	132	B3-U0-G0	14,235	137	B3-U0-G1	14,235	137	B3-U0-G1	
	5R		11,946	115	B3-U0-G3	12,501	121	B3-U0-G3	13,055	126	B4-U0-G4	13,610	131	B4-U0-G4	13,610	131	B4-U0-G4	
	4F		11,580	112	B2-U0-G2	12,118	117	B2-U0-G2	12,656	122	B2-U0-G2	13,194	127	B2-U0-G2	13,194	127	B2-U0-G2	
	3W		12,068	116	B2-U0-G2	12,628	122	B2-U0-G2	13,189	127	B2-U0-G2	13,749	133	B2-U0-G2	13,749	133	B2-U0-G2	
	5D		9,386	91	B3-U0-G2	9,822	95	B3-U0-G2	10,258	99	B3-U0-G2	10,694	103	B3-U0-G2	10,694	103	B3-U0-G2	
	AD		12,921	129	B3-U0-G2	13,341	133	B3-U0-G2	13,415	134	B3-U0-G2	13,249	132	B3-U0-G2	13,795	138	B3-U0-G3	

Note: LED Chips are frequently updated therefore values are nominal.

Opulence Small Wall Mount (OPS WM) Outdoor Wall Light

Type : _____

 Have questions? Call us at (800) 436-7800

PERFORMANCE

Delivered Lumens - PC Amber						
Lumen Package	Distribution	CRI	PC Amber			Wattage
			Delivered Lumens	Efficacy	BUG Rating	
3L	5Q	80	2,170	99	B1-U0-G1	22
	5C		2,257	103	B1-U0-G0	
	5R		2,123	97	B1-U0-G1	
	4F		2,113	96	B1-U0-G1	
	3W		2,080	95	B1-U0-G1	
	5D		2,019	92	B1-U0-G0	
	AD		2,032	92	B1-U0-G1	
5L	5Q	80	3,599	100	B2-U0-G1	36
	5C		3,650	101	B2-U0-G0	
	5R		3,434	95	B2-U0-G2	
	4F		3,416	95	B1-U0-G1	
	3W		3,362	93	B1-U0-G1	
	5D		3,265	91	B2-U0-G1	
	AD		3,286	91	B1-U0-G1	
6L	5Q	80	4,122	96	B2-U0-G1	43
	5C		4,288	100	B2-U0-G0	
	5R		4,033	94	B2-U0-G2	
	4F		4,013	93	B1-U0-G1	
	3W		3,950	92	B1-U0-G1	
	5D		3,835	89	B2-U0-G1	
	AD		3,861	90	B1-U0-G1	
8L	5Q	80	5,450	92	B2-U0-G1	59
	5C		5,669	96	B2-U0-G0	
	5R		5,332	90	B2-U0-G2	
	4F		5,306	90	B1-U0-G1	
	3W		5,223	89	B1-U0-G1	
	5D		5,070	86	B2-U0-G1	
	AD		5,104	87	B2-U0-G1	
10L	5Q	80	6,618	89	B3-U0-G1	74
	5C		6,883	93	B2-U0-G0	
	5R		6,474	87	B3-U0-G3	
	4F		6,442	87	B2-U0-G1	
	3W		6,341	86	B2-U0-G2	
	5D		6,156	83	B2-U0-G1	
	AD		6,198	84	B2-U0-G1	

Note: LED Chips are frequently updated therefore values are nominal.

Opulence Small Wall Mount (OPS WM) Outdoor Wall Light

Type : _____

 Have questions? Call us at (800) 436-7800

PERFORMANCE

Electrical Data (Amps) ¹						
Lumen Package	120V	208V	240V	277V	347V	480V
3L	0.18	0.11	0.09	0.08	0.06	0.05
5L	0.25	0.14	0.13	0.11	0.09	0.06
6L	0.32	0.18	0.16	0.14	0.11	0.08
8L	0.43	0.25	0.22	0.19	0.15	0.11
10L	0.55	0.32	0.28	0.24	0.19	0.14
12L	0.66	0.38	0.33	0.29	0.23	0.16
14L	0.86	0.50	0.43	0.37	0.30	0.21

Electrical Data (Amps) PC Amber ¹						
Lumen Package	120V	208V	240V	277V	347V	480V
3L	22	0.18	0.11	0.09	0.08	0.06
5L	36	0.30	0.17	0.15	0.13	0.10
6L	43	0.36	0.21	0.18	0.16	0.12
8L	59	0.49	0.28	0.25	0.21	0.17
10L	74	0.62	0.36	0.31	0.27	0.21

Recommended Lumen Maintenance - OPS SA ²					
Ambient Temperature °C	Initial ³	25K hrs. ³	50K hrs. ³	75K hrs. ⁴	100K hrs. ⁴
0-40	100%	99%	96%	93%	90%

¹ Electrical data at 25C (77F). Actual wattage may differ by +/-10%.

² Lumen maintenance values are calculated per TM-21 based on LM-80 data and in-situ luminaire testing.

³ In accordance with IESNA TM-21-11, Projected Values represent interpolated value based on time durations that are within six times (6X) the IESNA LM-80-08 total test duration (in hours) for the device under testing ((DUT) i.e. the packaged LED chip).

⁴ In accordance with IESNA TM-21-11, Calculated Values represent time durations that exceed six times NA LM-80-08 total test duration (in hours) for the device under testing ((DUT) i.e. the packaged LED chip).

Opulence Small Wall Mount (OPS WM) Outdoor Wall Light

Type : _____

 Have questions? Call us at (800) 436-7800

PHOTOMETRICS

Luminaire photometry has been conducted by a NVLAP accredited testing laboratory in accordance with IESNA LM-79-08. As specified by IESNA LM-79-08 the entire luminaire is tested as the source resulting in a luminaire efficiency of 100%.

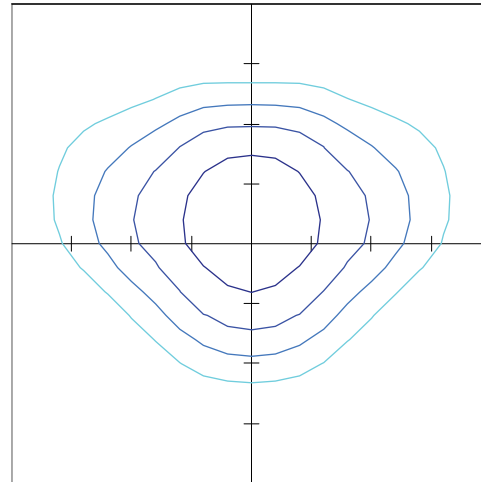
See the individual product page on <https://www.lsicorp.com/> for detailed photometric data.

OPS-6L-3W-40K8

Luminaire Data	
Wide Distribution	
Description	4000 Kelvin, 80 CRI
Delivered Lumens	5,951
Watts	41
Efficacy	145
IES Type	Type III - Very Short
BUG Rating	B2-U0-G2

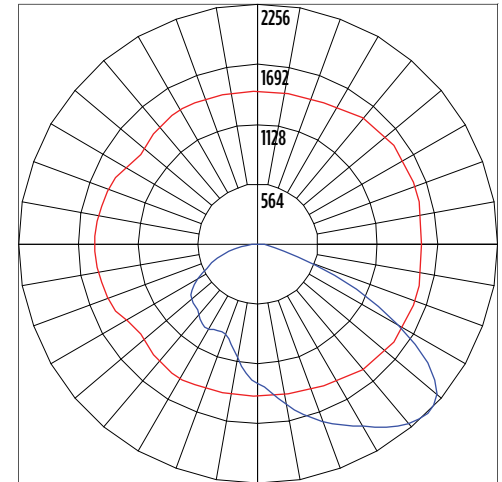
Zonal Lumen Summary		
Zone	Lumens	% Luminaire
Low (0-30°)	1,137	19%
Medium (30-60°)	3,125	53%
High (60-80°)	1,591	27%
Very High (80-90°)	98	2%
Uplight (90-180°)	0	0%
Total Flux	5,951	100%

ISO Footcandle



10' Mounting Height / 10' Grid Spacing
 5 FC 2 FC 1 FC 0.5 FC

Polar Curve



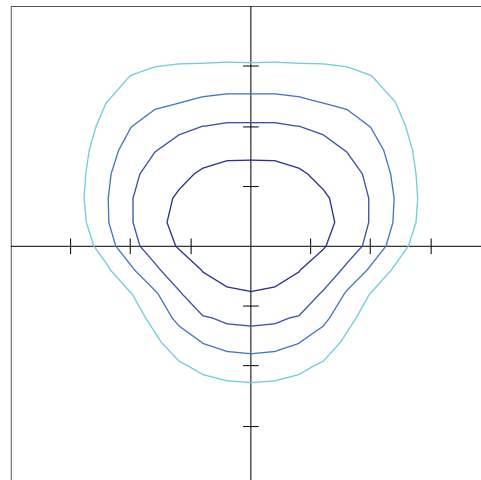
Vertical Plane Horizontal Cone

OPS-6L-4F-40K8

Luminaire Data	
Wide Distribution	
Description	4000 Kelvin, 80 CRI
Delivered Lumens	6,039
Watts	41
Efficacy	147
IES Type	Type IV - Very Short
BUG Rating	B2-U0-G1

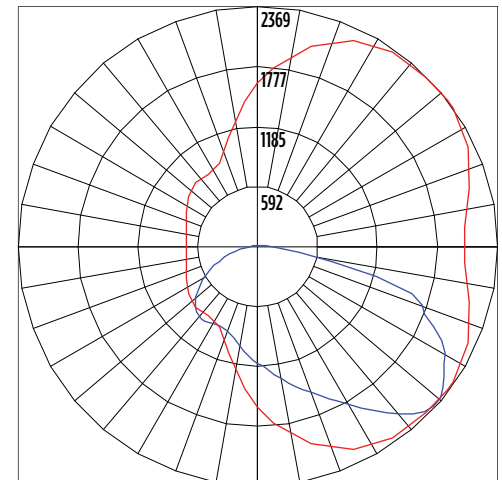
Zonal Lumen Summary		
Zone	Lumens	% Luminaire
Low (0-30°)	1,070	18%
Medium (30-60°)	3,391	56%
High (60-80°)	1,510	25%
Very High (80-90°)	68	1%
Uplight (90-180°)	0	0%
Total Flux	6,039	100%

ISO Footcandle



10' Mounting Height / 10' Grid Spacing
 5 FC 2 FC 1 FC 0.5 FC

Polar Curve



Vertical Plane Horizontal Cone

Opulence Small Wall Mount (OPS WM) Outdoor Wall Light

Type : _____

 Have questions? Call us at (800) 436-7800

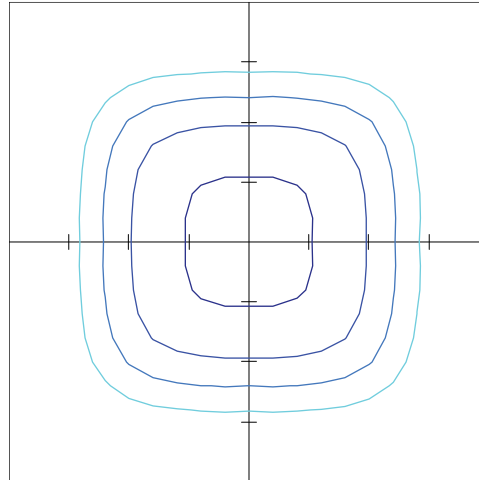
PHOTOMETRICS

OPS-6L-5Q-40K8

Luminaire Data	
Wide Distribution	
Description	4000 Kelvin, 80 CRI
Delivered Lumens	6,211
Watts	41
Efficacy	151
IES Type	Type VS - Short
BUG Rating	B3-U0-G1

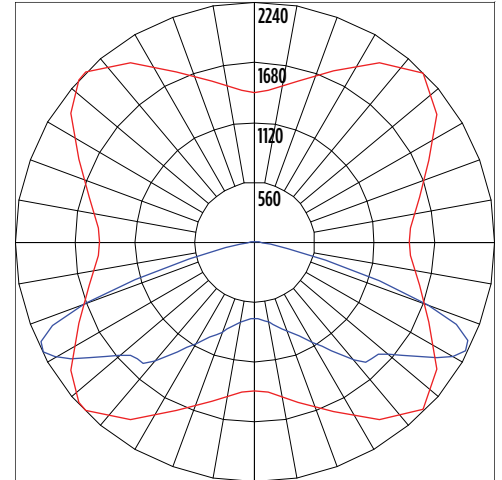
Zonal Lumen Summary		
Zone	Lumens	% Luminaire
Low (0-30°)	757	12%
Medium (30-60°)	3,371	54%
High (60-80°)	2,038	33%
Very High (80-90°)	45	1%
Uplight (90-180°)	0	0%
Total Flux	6,211	100%

ISO Footcandle



10' Mounting Height / 10' Grid Spacing
 5 FC 2 FC 1 FC 0.5 FC

Polar Curve



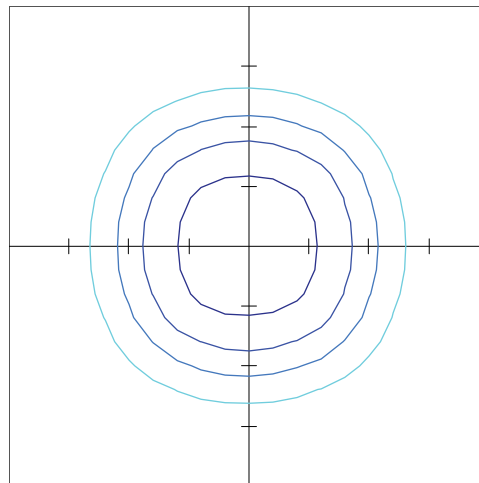
Vertical Plane Horizontal Cone

OPS-6L-5D-40K8

Luminaire Data	
Wide Distribution	
Description	4000 Kelvin, 80 CRI
Delivered Lumens	5,778
Watts	41
Efficacy	141
IES Type	Type VS - Very Short
BUG Rating	B2-U0-G1

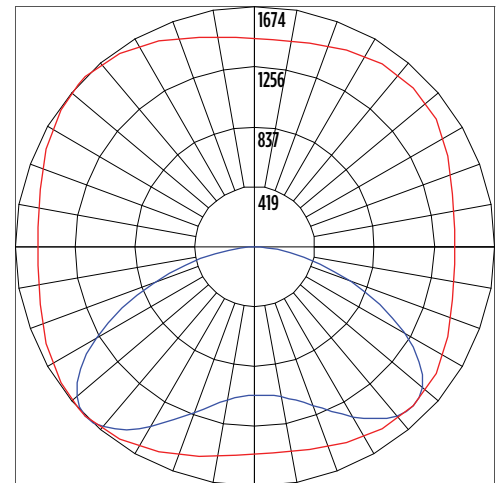
Zonal Lumen Summary		
Zone	Lumens	% Luminaire
Low (0-30°)	1,023	18%
Medium (30-60°)	3,280	57%
High (60-80°)	1,365	24%
Very High (80-90°)	110	2%
Uplight (90-180°)	0	0%
Total Flux	5,778	100%

ISO Footcandle



10' Mounting Height / 10' Grid Spacing
 5 FC 2 FC 1 FC 0.5 FC

Polar Curve



Vertical Plane Horizontal Cone

Opulence Small Wall Mount (OPS WM) Outdoor Wall Light

Type : _____

 Have questions? Call us at (800) 436-7800

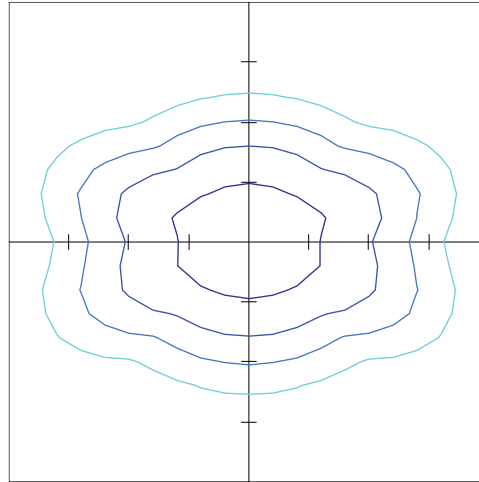
PHOTOMETRICS

OPS-6L-5R-40K8

Luminaire Data	
Wide Distribution	
Description	4000 Kelvin, 80 CRI
Delivered Lumens	6,076
Watts	41
Efficacy	148
IES Type	Type II - Short
BUG Rating	B3-U0-G3

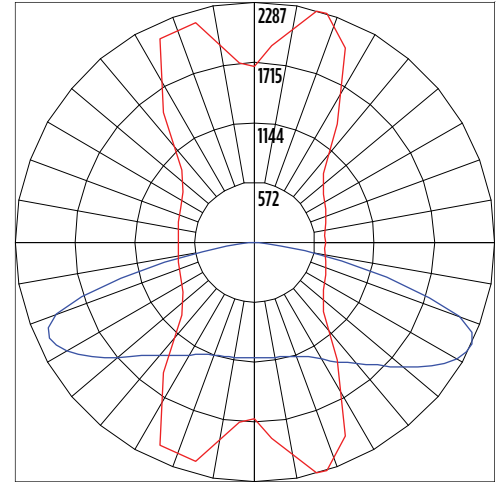
Zonal Lumen Summary		
Zone	Lumens	% Luminaire
Low (0-30°)	971	16%
Medium (30-60°)	3,043	50%
High (60-80°)	1,958	32%
Very High (80-90°)	104	2%
Uplight (90-180°)	0	0%
Total Flux	6,076	100%

ISO Footcandle



10' Mounting Height / 10' Grid Spacing
 5 FC 2 FC 1 FC 0.5 FC

Polar Curve



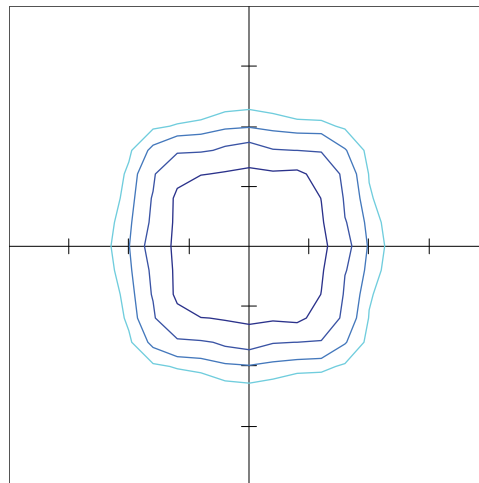
Vertical Plane Horizontal Cone

OPS-6L-5C-40K8

Luminaire Data	
Wide Distribution	
Description	4000 Kelvin, 80 CRI
Delivered Lumens	6,460
Watts	41
Efficacy	158
IES Type	Type VS - Very Short
BUG Rating	B2-U0-G0

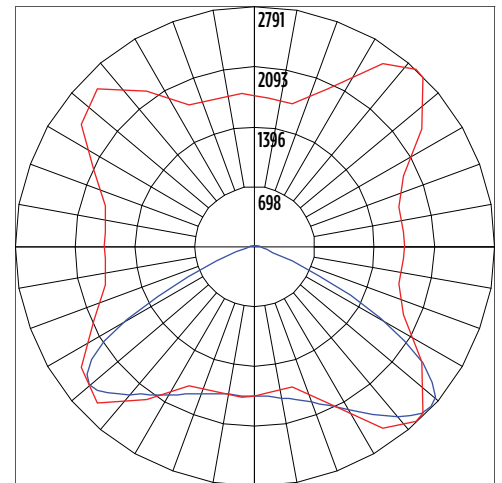
Zonal Lumen Summary		
Zone	Lumens	% Luminaire
Low (0-30°)	1,579	9%
Medium (30-60°)	4,268	43%
High (60-80°)	595	48%
Very High (80-90°)	18	1%
Uplight (90-180°)	0	0%
Total Flux	6,460	100%

ISO Footcandle



10' Mounting Height / 10' Grid Spacing
 5 FC 2 FC 1 FC 0.5 FC

Polar Curve



Vertical Plane Horizontal Cone

Opulence Small Wall Mount (OPS WM) Outdoor Wall Light

Type: _____

 Have questions? Call us at (800) 436-7800

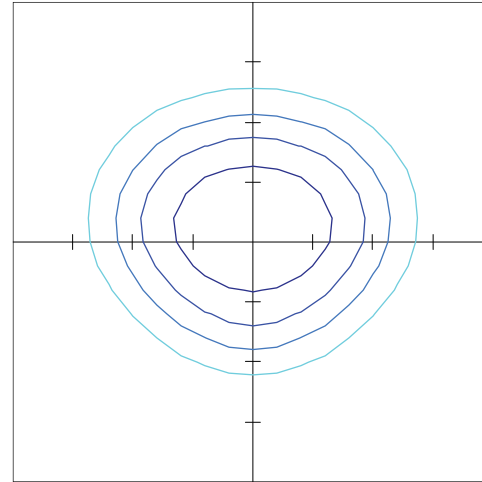
PHOTOMETRICS

OPS-6L-AD-40K8

Luminaire Data	
Wide Distribution	
Description	4000 Kelvin, 80 CRI
Delivered Lumens	5,817
Watts	41
Efficacy	142
IES Type	Type II - Very Short
BUG Rating	B2-U0-G1

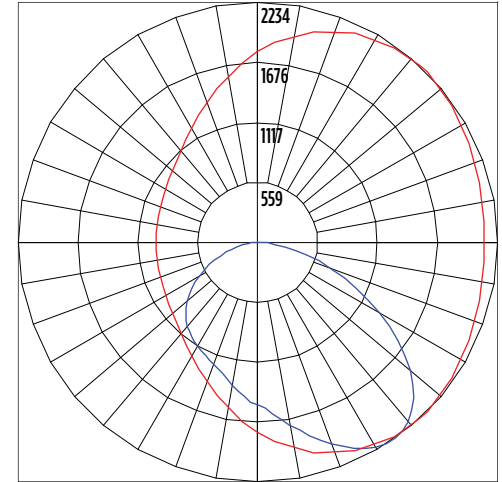
Zonal Lumen Summary		
Zone	Lumens	% Luminaire
Low (0-30°)	1,352	9%
Medium (30-60°)	3,232	43%
High (60-80°)	1,143	48%
Very High (80-90°)	91	1%
Uplight (90-180°)	0	0%
Total Flux	5,817	100%

ISO Footcandle



10' Mounting Height / 10' Grid Spacing
 5 FC
 2 FC
 1 FC
 0.5 FC

Polar Curve



Vertical Plane
 Horizontal Cone

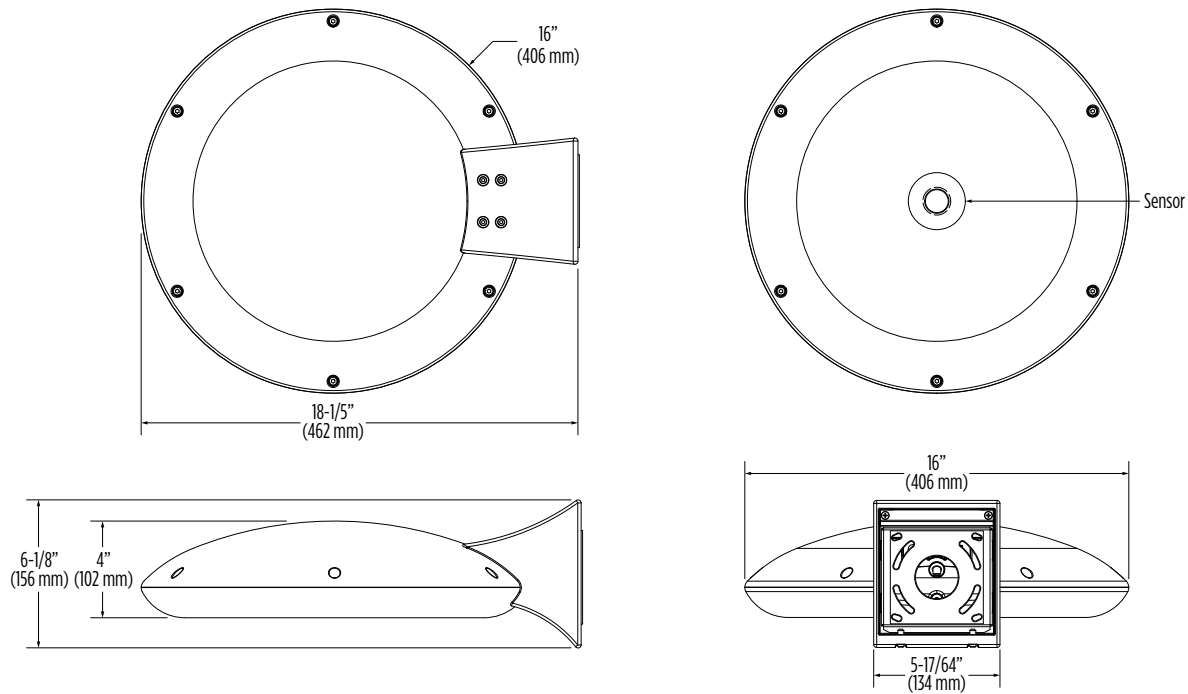
Opulence Small Wall Mount (OPS WM) Outdoor Wall Light

Type: _____

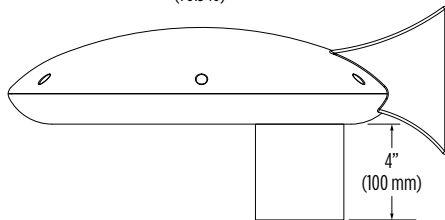
 **Have questions?** Call us at (800) 436-7800

PRODUCT DIMENSIONS

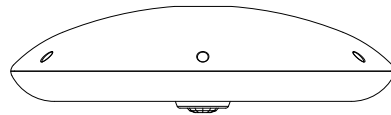
Opulence Small Side Arm Mount
(OPS SA)



External Shield
(781340)

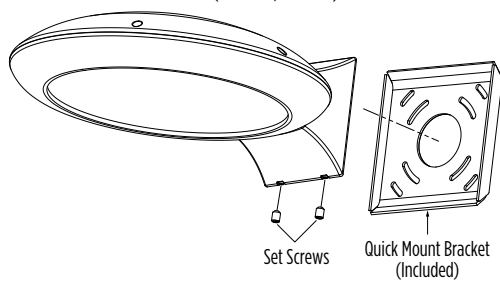


AirLink Blue Wireless / Integral Bluetooth™ Motion & Photocell Sensor
(ALBCSx/IMSBTxL)

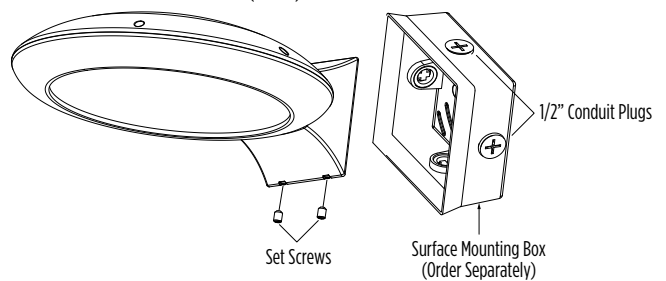


Mounting Options

Mounting Over Junction Box
(Standard/Included)



Wet Location Surface Conduit/Wiring box
(739106)



Opulence Small Wall Mount (OPS WM) Outdoor Wall Light

Type : _____

 **Have questions?** Call us at (800) 436-7800

CONTROLS

Integral Bluetooth™ Motion and Photocell Sensor (IMSBTxL)

Slim low profile sensor provides multi-level control based on motion and/or daylight. Sensor controls 0-10 VDC LED drivers and is IP66 rated for cold and wet locations (-40°F to 167°F). Two unique PIR lenses are available and used based on fixture mounting height. All control parameters are adjustable via an iOS or Android App capable of storing and transmitting sensor profiles.

[Click here to learn more details about IMSBT](#)



LEVITON App



Apple



Android

AirLink Blue (ALBCSx)

Wireless Bluetooth Mesh Outdoor Lighting Control System that provides energy savings, code compliance and enhanced safety/security for parking lots and parking garages. Three key components; Bluetooth wireless radio/sensor controller, Time Keeper and an iOS App. Capable of grouping multiple fixtures and sensors as well as scheduling time-based events by zone. Radio/Sensor Controller is factory integrated into Area/Site, Wall Mounted, Parking Garage and Canopy luminaires.

[Click here to learn more details about AirLink Blue](#)



AirLink Blue App



Apple

Sensor Sequence of Operations

Standard Programming	On Event	Off Event	On Light Level	Dim Light Level	Daylight Harvesting	Delay To Off	Sensitivity
IMSBTxL	Motion	No Motion	100%	N/A	On; Auto Calibration	20 minutes	High

Operation	Description
On Event	Trigger that activates lights to turn on; either automatic via motion detected or manually activated via push of button.
Off Event	Trigger that activates lights to turn off; either automatic via no motion detected or manually activated via push of button.
On Light Level	The light level that the fixtures will turn on to when ON EVENT occurs.
Dim Light Level	The light level that the fixtures will dim down to when no motion is detected.
Delay to Dim	The amount of time after which no motion is detected that the fixtures will be triggered to dim down. This sequence is optional, and sensor can be programmed to only trigger the fixture to turn off by entering 100% in this field.
Delay to Off	The amount of time after which no motion is detected that the fixtures will be triggered to turn off. If delay to dim is part of the programmed functionality, this is the amount of time after which no motion is detected after the fixture have already dimmed down.
Sensitivity	The sensitivity can be set to high, medium, low, or auto where applicable. High will detect smaller, simple motions. Low will only detect larger more complex motions. Auto temperature calibration adjusts the PIR sensitivity as ambient temperature rises to increase detection of heat movement through the field of view.