

Catalog # :

Project :

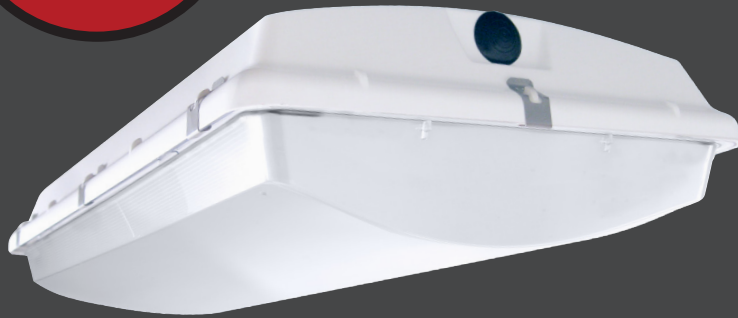
Prepared By :

Date :



EGW 2

Wide Wet Location LED



The EGW fixture provides excellent lighting in heavy-duty, high-impact, reinforced fiberglass housing. With its vaportight design, it is ideal for utility, backroom, and cooler applications.

Offered with high-impact acrylic lens and symmetrical distribution for outstanding light delivery.

Features & Specifications

Electrical

- Projected life of at least 200,000 hours. Contact factory for TM-21 detail.
- Standard Universal voltage (120-277 Vac) input, 50/60Hz. Power factor > 0.9, THD < 20%, in-rush current < 15 Amps or optional High Voltage (347-480 Vac)
- High-performance isolated driver features over-voltage, over-current and short circuit (with auto-recovery) protection. Driver module is sealed to IP65, IP66, IP67 and IP69K protection levels, with a Class A sound rating. 0-10 volt dimming standard.
- Operating Temperature: -35°C to 45°C (-31°F to 113°F)

Construction

- The inner gear tray is constructed of code gauge steel. The outer housing is constructed of fiberglass reinforced fiberglass. Gasketing in the housing is constructed of closed cell polyurethane. Conduit entrance is provided at both ends. All external hardware and hanging components are constructed of stainless steel.
- Finish coating of housing reflecting surfaces is with high-reflectance (minimum 92%) polyester powder.
- IP65 Certified / IP66 Certified / IP67 Certified (comparable to NEMA 6) / IP69K Certified
- NEMA 4X rated
- High pressure hose down (1500psi)
- Hinged gear tray for easy driver access.
- (2) Stainless steel V hook mounting brackets are furnished with each fixture, and can be mounted to surface where required.

Installation

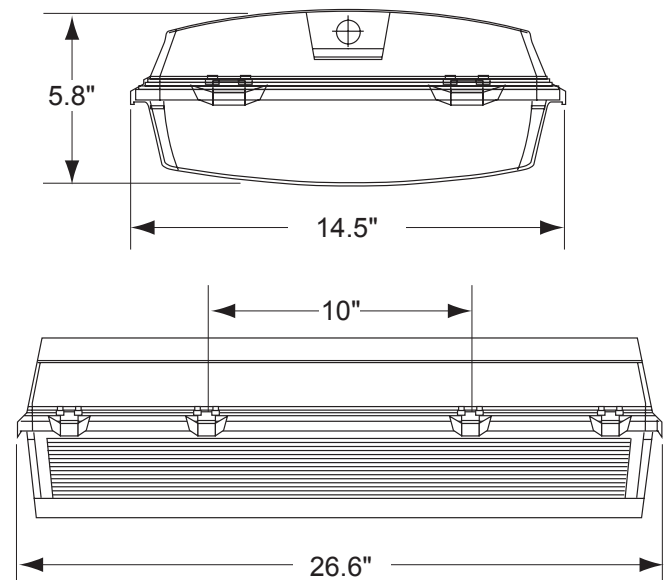
- Stainless steel V bracket or SB surface bracket accessory.
- For surface-mount and suspension-mount applications, accessories are to be ordered separately. See Accessories section.

Warranty

- LSI LED Fixtures carry a 5-year warranty.



Dimensions





EGW 2 Wide Wet Location LED

Features & Specifications (Cont.)

Listings

- Listed to UL 1598 and UL 8750.
- RoHS Compliant.
- American Recovery and Reinvestment Act Funding Compliant.
- UL Listed For Wet Locations
- DesignLights Consortium Premium qualified luminaire, eligible for rebates from DLC member utilities.

IP Rating

6 / Dust-Tight

No ingress of Dust

5 / Protects against water jets

Water projected from a nozzle against the enclosure from any direction shall have no harmful effect.

6 / Protects against powerful

Water projected in powerful jets against the enclosure from any direction shall have no harmful effect.

7 / Protected against the effects of immersion

Ingress of water in a harmful quantity shall not be possible when the enclosure is immersed in water under defined conditions of pressure and time.

9K / Protected from steam-jet cleaning

Protected from steam-jet cleaning.

Mounting Accessories

Part #	Description
310967	10-foot Cable Hanging Set with Loop (pair)
357201	20-foot Cable Hanging Set with Loop (pair)

Performance

Lumens	4000K			5000K		
	Delivered Lumens	Efficacy	Wattage	Delivered Lumens	Efficacy	Wattage
10L	10380	148.66	69.82	10380	148.66	69.82
14L	13570	143.11	94.82	13570	143.11	94.82
17L	16930	131.68	128.57	16930	131.68	128.57

DLC Listings

EGW 2 LED		
Lumens	4000K	5000K
	DLC Prod. ID	DLC Prod. ID
10L	PLCMFM3TWH8T	PLSAKLEKM6UE
14L	PLXYOIG8H5A9	PLP1A60U4N0M
17L	PLYRZH1VH3CD	PLLBOYAJNG3I

Luminaire Ordering Guide

TYPICAL ORDER EXAMPLE: **EGW 2 LED 10L DA S UNV DIM 40 80**

Family Prefix	Fixture Length	Lighting Source	Lumen Package	Lens Type	Distribution	Voltage	Dimming
EGW	2 = 2ft	LED	10L = 10,000 Lumen 14L = 14,000 Lumen 17L = 17,000 Lumen	DA = Diffuse Acrylic CA = Clear Acrylic	S = Symmetric	UNV = Universal (120-277V) HV = High Voltage (347/480V)	DIM = 0-10vdc

Color Temperature	Color Rendering	Controls	Options	Mounting/Wiring
40 = 4000k 50 = 5000k	80 = 80CRI	OCSWL = Wet Location Occupancy Sensor	EM = 1400 Lumen Emergency	Blank = Standard (Mounting clip and bails included) E6C = 6' foot black cord, no plug ("V" hook hangers included) HUB = To use with center mount application (3/4" N.P.T. HUB IN BACK / TOP)