

Catalog # :

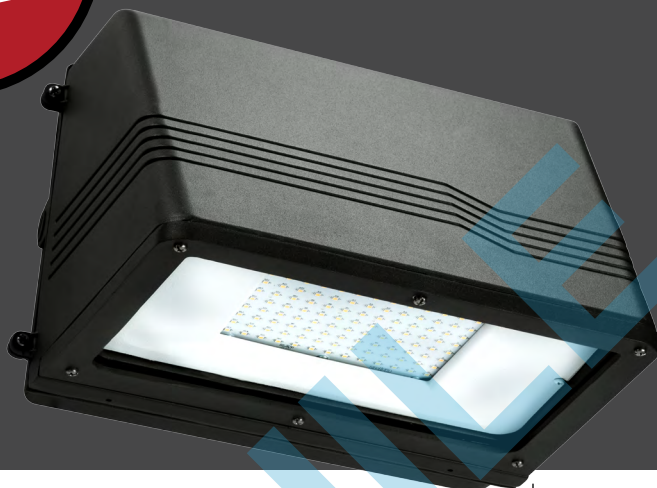
Project :

Prepared By :

Date :



MCOWP64W 64 Watt LED Medium Cut-Off Wall Pack



LSI Wall Lights feature traditional housings that provide familiar design with known applications. These fixtures make the switch from Metal Halide to LED easy. Mid-power LEDs provide glare-free white light.

Features & Specifications

Performance

4500K		
Delivered Lumens	Efficacy	Wattage
8,131	131.5	61.82

Optical System

- Lens assembly is designed to provide high efficiency and to target the light where needed to satisfy outdoor lighting requirements.
- Positioning of the LEDs result in the light being directed to desired locations eliminating glare and offensive light.
- 4500K color temperature.
- Minimum CRI of 82

Electrical

- High-performance driver features over-voltage, under voltage, short-circuit and over temperature protection.
- 0-10 volt dimming (10% - 100%) standard.
- Standard Universal Voltage (120-277 Vac) Input 50/60 Hz
- L70 Calculated Life: >100k Hours
- Total harmonic distortion: <20%
- Power factor: >.85
- Input power stays constant over life.
- Driver Off-State Power is 0 watts.
- Components are fully encased in potting material for moisture resistance. Driver complies with FCC standards. Driver and key electronic components can easily be accessed.
- Minimum 4kV surge rating

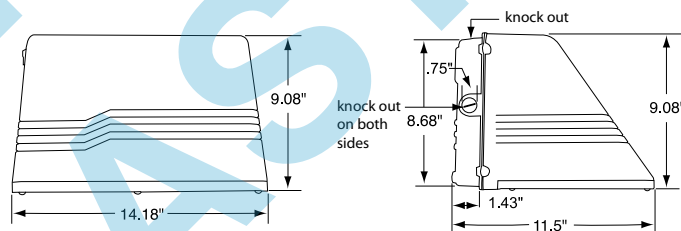
Construction

- Rugged traditional aluminum die cast housing provides proven environmental protection for LED modules.
- Traditional fixture designs provide a familiar look and standard installation requirements.
- Retaining this look allows the ability to upgrade fixtures gradually, while retaining the same overall fixture appearance throughout a facility.
- The smooth housing prevents debris build up and maximizes airflow over housing.

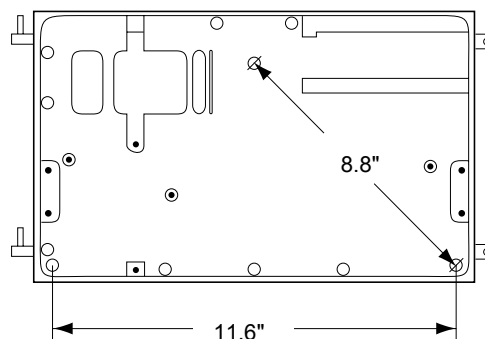


3000k must be selected to meet IDA criteria

Dimensions



Mounting Detail





MCOWP64W 64 Watt LED Medium Cut-Off Wall Pack

Features & Specifications (Cont.)

- Patent pending thermal stacking technology system features a unique internal design that allows for lower operating temperatures which results in a brighter, whiter light, more stable color and longer LED and driver life.
- LSI LEDs provide higher lumen output, greater energy efficiency and more reliable fixture performance.
- LEDs manufactured for the MCOWP series utilize Epoxy Guard conformal coating which reduces the chance of board corrosion.

Controls

- Optional electronic button Photocontrol.
- Apertures for field or factory installed photocontrol.

Installation

- Fixture retains the same knock-out sizes and positions as previous models, reducing wiring costs.

Warranty

- LSI LED Fixtures carry a 5-year warranty.
- 1 Year warranty on optional Button Photocell.

Listings

- Listed to UL 1598 and UL 8750.
- CSA Listed
- RoHS Compliant.
- DesignLights Consortium® (DLC) qualified product. Not all versions of this product may be DLC qualified. Please check the DLC Qualified Products List at www.designlights.org/QPL to confirm which versions are qualified.
- American Recovery and Reinvestment Act Funding Compliant.
- Lighting Facts Approved.
- Suitable For Wet Locations.

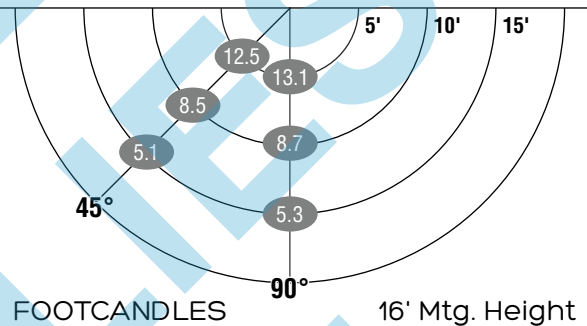
Finishes

- Bronze is standard. Consult factory for pricing and lead time for other options.

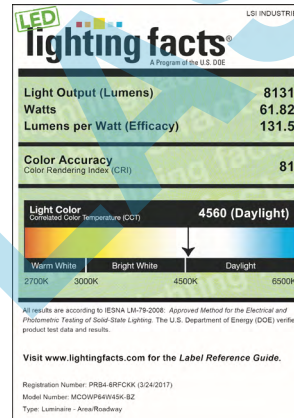
Energy Savings

LED		HID			
Wattage	Annual Cost	Source Wattage	Total Wattage Used	Annual Cost	Annual Savings
64	\$28	200	232	\$128	\$100
		250	285	\$150	\$122
		400	458	\$226	\$198

Photometrics



Mounting Height	Footcandles on the Ground						Avg FCs 450 sq. feet
	90°			45°			
	5'	10'	15'	5'	10'	15'	
16'	13.1	8.7	5.3	12.5	8.5	5.1	8.9
12'	10.6	7.7	5.1	10.2	7.5	4.9	7.6



Luminaire Ordering Guide

TYPICAL ORDER EXAMPLE: **MCOWP 64W 45K BZ PC120**

Family Prefix	Wattage	Color Temp	Finishes	Options / Controls
MCOWP	64W	45K - 4500K	BZ - Bronze	PC120 - 120V Button Photocontrol PC208-277 - 208-277V Photocontrol