



Catalog # : \_\_\_\_\_ Project : \_\_\_\_\_

Prepared By : \_\_\_\_\_ Date : \_\_\_\_\_

# MLI

## Indoor Micro Standby Emergency Light Inverter



### QUICK LINKS

[Ordering Guide](#)

[Performance](#)

[Dimensions](#)

### FEATURES & SPECIFICATIONS

#### Construction

- Housing constructed of heavy gauge steel with a durable white powdercoat finish.
- Small footprint housing with surface mount, recessed mount, and T-Grid mounting options available.
- Visual operating status monitoring panel on the front of the unit that includes a manual test switch.

#### Electrical

##### Input:

- 120/277VAC at 60Hz input
- Input surge protection provided at service panel (20A max)

##### Output:

- 120/277VAC at 60Hz output
- Standby design is 98% efficient at 100% linear load
- Soft start design reduces fixture incurrent rush
- Transfer time is less than 1 second

#### Battery

- Maintenance Free, Sealed, Lead Calcium Industrial Batteries (MLI 32 and MLI 55)
- Maintenance Free NiCad Batteries (MLI 20N and MLI 35N)

- Operating Temperatures 20°C - 30°C (68°F - 86°F)
- Low voltage disconnect circuit to prevent the battery from damage by a deep discharge.
- DC input fuse protects from DC overload and short circuit.
- Battery charger maximum power consumption of 9W.
- Brownout protection automatically switches to emergency mode when utility voltage is significantly reduced.

#### Installation

- Standard surface mount option uses provided keyhole slots in back of the housing to mount to a wall.
- Recessed mounting option provides mounting holes on both sides of the enclosure.
- T-Grid mounting option for easy drop in installation between T-Grid runs. (Requires safety wires to attach to building structure - supplied by other)
- Units may be installed up to 1,000 feet from controlled fixture.
- Relative Humidity - 95% non-condensing.

- Barometric pressure of up to 10,000 feet above sea level.

#### Warranty

- 3 year warranty on electronics and housing.
- Separate 3 year full warranty and 7 year pro-rated warranty on Lead Calcium battery.
- Separate 5 year full warranty and 7 year pro-rated warranty on NiCad battery.

#### Listings

- UL 924
- NFPA 101
- NEC
- OSHA
- Plenum Rated T-Grid model





## ORDERING GUIDE

[Back to Quick Links](#)

TYPICAL ORDER EXAMPLE: **MLI 55 SM**

Prefix	Capacity	Options
<b>MLI</b> - Indoor Micro Standby Emergency Light Inverter	<b>32</b> - 32 Watts/VA, Lead Calcium <b>55</b> - 55 Watts/VA, Lead Calcium <b>20N</b> - 20 Watts/VA, NiCad <b>35N</b> - 35 Watts/VA, NiCad	<b>SM</b> - Surface Mounting <b>RM</b> - Recessed Mounting <b>TM</b> - T-Grid Mounting <b>TS</b> - Test Switch

## PERFORMANCE

[Back to Quick Links](#)

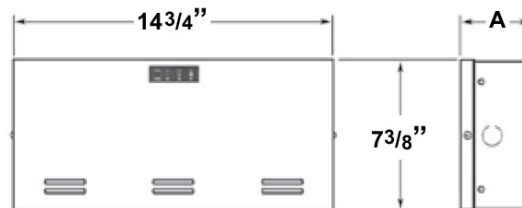
Capacity (Watts/VA)	Battery Type	Power Consumption	Battery Voltage (VDC)	DC Input Current (ADC)	AC Input Current		Thermal Output (BTU)		Temperature Range (°F)	Weight Including Batteries (lbs)
					120VAC (Max)	277VAC (Max)	Standby	Emergency		
32	Lead Calcium	9W	12	3.4	0.34A	0.15A	7	32	68° - 86°	14
55	Lead Calcium	9W	12	5.7	0.54A	0.23A	7	47	68° - 86°	18
20	NiCad	9W	12	2.1	0.25A	0.11A	31	22	32° - 122°	11
35	NiCad	9W	12	3.8	0.37A	0.16A	31	35	32° - 122°	12

## PRODUCT DIMENSIONS

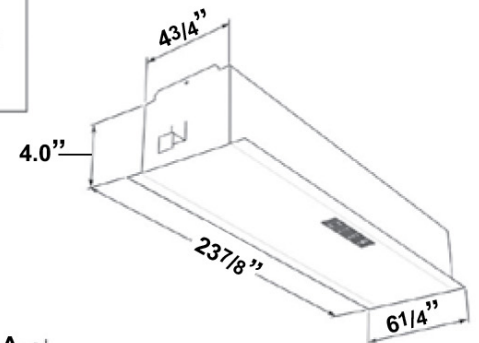
[Back to Quick Links](#)

Models	Depth Dimension "A"
MLI 20N, MLI 32	3-1/8" (7.94cm)
MLI 35N, MLI 55	4-3/8" (11.11cm)

### Surface Mount Housings



### Ceiling T-Grid Mount Housing



### Recessed Mount Housing

