



Catalog # : _____ Project : _____

Prepared By : _____ Date : _____

Slim Wall Pack (WPSLL)

Large LED Slim Wall Pack



OVERVIEW

Lumen Range	4,000 - 8,000
Wattage Range	40 - 80
Efficacy Range (LPW)	106 - 130
Weight lbs(kg)	7.9 (3.6)

QUICK LINKS

[Ordering Guide](#)[Performance](#)[Dimensions](#)[Photometrics](#)

FEATURES & SPECIFICATIONS

Construction

- Rigid Precision Die cast-aluminum housing for durability and consistency.
- Vertical fins serve as a heat sink and resist accumulation of dust and debris.
- The Patent Pending thermal stacking heat removal technology extracts heat from within the housing moving it away from LEDs and integral components.
- Luminaire hinges open from the bottom to prevent leakage.
- Luminaire is proudly manufactured and tested in the U.S.
- Fixtures are finished with LSI's DuraGrip® polyester powder coat finishing process. The DuraGrip finish withstands extreme weather changes without cracking or peeling. Other standard LSI finishes available. Consult factory
- Add sux CWBB for Emergency Battery Back Up. Provides emergency illumination (1,580 lumens) for a minimum of 90 minutes. Requires deep back housing.
- Shipping weight: 7.9 lbs in carton.

Optical System

- High-performance Chip On Board (COB) LEDs behind clear tempered glass for maximum light output.
- 3000K | 4000K | 5000K color temperatures.

- Minimum CRI of 71.
- Zero uplight.

Electrical

- High-performance driver features over-voltage, under voltage, short-circuit and over temperature protection.
- 0-10 volt dimming (10% - 100%) standard.
- Standard Universal Voltage (120-277 Vac) Input 50/60 Hz or optional High Voltage (347-480 Vac).
- L70 Calculated Life: >100k Hours
- Total harmonic distortion: <20%
- Power factor: >.85
- Input power stays constant over life.
- Driver Off-State Power is 0 watts.
- Minimum Operating Temperature of -20°C
- Chip On Board (COB) LEDs with integrated circuit board mounted directly to the housing to maximize heat dissipation and promote long life.
- Components are fully encased in potting material for moisture resistance. Driver complies with FCC standards. Driver and key electronic components can easily be accessed.
- Minimum 2.5kV surge rating

Controls

- Optional 120V electronic button Photocontrol.
- Apertures for field or factory installed photocontrol.

Installation

- Surface mounts direct to J-box or wall.
- Features a bubble level and removable hinged face frame for ease of installation.

Warranty

- LSI LED Fixtures carry a 5-year warranty.
- 1 Year warranty on optional Button Photocell.

Listings

- Listed to UL 1598 and UL 8750.
- CSA Listed
- RoHS Compliant.
- DesignLights Consortium® (DLC) qualified product. Not all versions of this product may be DLC qualified. Please check the DLC Qualified Products List at www.designlights.org/QPL to confirm which versions are qualified.
- American Recovery and Reinvestment Act Funding Compliant.
- Suitable For Wet Locations.

Specifications and dimensions subject to change without notice.





Large LED Slim Wall Pack (WPSLL)

ORDERING GUIDE

[Back to Quick Links](#)

TYPICAL ORDER EXAMPLE: **WPSLL LED 6L UNV DIM 30 PC120 BZA**

Family Prefix	Lumen Package	Voltage	Color Temp	Controls	Options	Finishes
WPSLL - Large Slim Wall Pack	4L - 4000 Lumens	UNV - Universal (120V-277V)	30 - 3000K	PC120 - 120V Photocontrol	CWBB - Emergency Back-up*	BZA - Bronze
	6L - 6000 Lumens	HV - 347-480V Universal Voltage	40 - 4000K	PC208-277 - 208-277V Photocontrol		WHT - White
	8L - 8000 Lumens		50 - 5000K			BLK - Black

*4L and 6L lumen packages only

PERFORMANCE

Lumens	3000K		4000K		5000K		Wattage
	Delivered Lumens	Efficacy	Delivered Lumens	Efficacy	Delivered Lumens	Efficacy	
4L	4147	110.74	4147	110.74	4853	130.34	40*
6L	6513	111.93	6513	111.93	7401	128.08	60
8L	8060	106.01	8060	106.01	9332	121.81	80

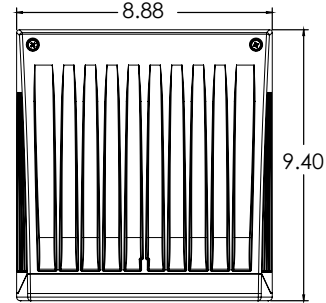
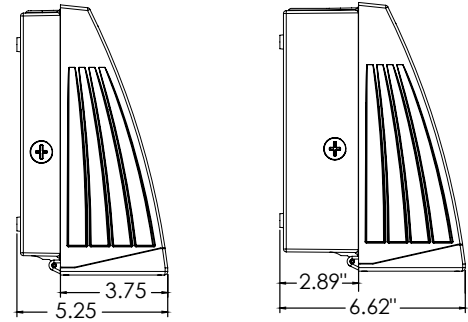
*For emergency back-up only

LED		HID			Annual Savings
Wattage	Annual Cost	Source Wattage	Total Wattage Used	Annual Cost	
40*	\$18	100	129	\$77	\$59
		150	185	\$100	\$82
		175	210	\$112	\$94
60	\$26	200	232	\$128	\$102
		250	285	\$150	\$124
		400	458	\$226	\$200
80	\$35	200	232	\$128	\$93
		250	285	\$150	\$115
		400	458	\$226	\$191

*For emergency back-up only

PRODUCT DIMENSIONS

[Back to Quick Links](#)



Deep back housing required for emergency battery back up

PHOTOMETRICS

[Back to Quick Links](#)

WPSLL-6L-40

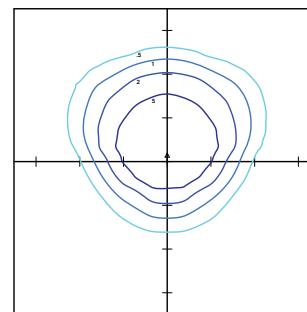
Luminaire Data

Wide Distribution	
Description	4000 Kelvin, 70 CRI
Delivered Lumens	6,957
Watts	58.1
Efficacy	120
IES Type	Type III - Very Short
BUG Rating	B2-U0-G1

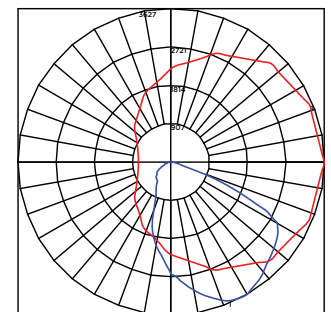
Zonal Lumen Summary

Zone	Lumens	%Luminaire
Low (0-30°)	2025.1	29.1%
Medium (30-60°)	3812.2	54.8%
High (60-80°)	1105.7	15.9%
Very High (80-90°)	14.1	0.2%
Uplight (90-180°)	0.0	0.0%
Total Flux	6957.1	100%

ISO FOOTCANDLE PLOT



POLAR CURVE



10' Mounting Height/10' Grid Spacing
 ■ 10 FC ■ 5 FC ■ 2 FC ■ 1 FC