

# INSTALLATION AND ASSEMBLY INSTRUCTIONS GREENBRIAR® GFR SERIES TYPE "540" REFLECTOR KIT

**WARNING:** Disconnect power before servicing.

**WARNING:** Verify the existing input voltage. Verify ballast wiring matches power supply voltage. On multi-tap ballasts, be sure to wire to correct supply lead voltage! Cap off unused wires individually.

**WARNING:** Wiring to be performed by qualified electrician.

**IMPORTANT:** Multi-tap ballasts are prewired to 277V.

**IMPORTANT:** Socket adaptors and ballast covers are packed in *bottom of outer reflector carton*.

1. Loosen (4) top cover screws (do not remove - screws are captive). Allow cover to hang over side of housing on safety cable (do not remove cover).
2. Remove ballast cover by turning both 1/4-turn fasteners 90 degrees. Remove 1/4-turn fasteners from cover and set aside to reuse. Discard old cover.

**NOTE:** If replacing reflector only, proceed to step 11. If replacing ballast and reflector, proceed to step 3.

3. Disconnect incoming supply leads from ballast and ground leads.
4. Disconnect socket leads from ballast and capacitor.
5. Remove capacitor by loosening both screws and clamp. Set clamp and screws aside to reuse. Discard capacitor per local code.
6. Remove ballast by loosening (4) hex nuts and bracket. Set nuts and bracket aside to reuse. Discard ballast per local code.
7. With new ballast leads pointing upwards, install ballast using bracket and nuts. See Figure 1.
8. Install new capacitor using clamp and both screws. **NOTE: Be sure that capacitor lip is retained in clamp slot!**
9. If provided, install new ignitor to side of capacitor clamp using provided screw. See Figure 2.
10. Wire ballast to incoming power leads, capacitor, socket, and ignitor to local code and National Electrical Code. Use all ground leads. Use wire tie to keep wiring away from ballast.
11. Unhook socket assembly from top of reflector. Remove lamp from socket. Allow socket assembly to hang over side of housing.
12. Remove (5) hex nuts securing reflector assembly. Lift assembly from housing.
13. Discard reflector and lamp per local code.

# INSTALLATION AND ASSEMBLY INSTRUCTIONS, cont'd.

14. Locate socket adaptor packed in *bottom of outer reflector carton*. Attach socket adaptor to top of new reflector by engaging tabs on one end of socket adaptor into mating slots of reflector top. Then push/pull opposite side of socket adaptor to engage opposite side of reflector top. See Figures 3.
15. Install new reflector using old hex nuts. Use outermost reflector flange holes on reflector.
16. Attach existing socket assembly to top of reflector/socket adaptor by engaging tabs on one end of socket assembly into mating slots on adaptor. Then push/pull opposite side of socket assembly to engage opposite side of adaptor. See Figure 4.
17. Install lamp into socket by disengaging *socket adaptor* from top of reflector (see Figure 4) and lifting the adaptor and socket assembly up and away from reflector. Tighten lamp into socket, loosen slightly, then retighten to ensure proper engagement. Wipe lamp with dry, clean cloth. Insert lamp/socket assembly/adaptor into top of reflector re-engaging tabs on adaptor into slots on top of reflector. See Figure 4.
18. Locate new ballast cover packed in *bottom of outer reflector carton*. Locate 1/4-turn fasteners (removed in Step 2); snap them into outermost holes of new cover. Install new cover. Make sure socket lead wires run over TOP of cover - not underneath it! Secure cover to brackets using 1/4-turn fasteners. See Figure 5.
19. Locate new ballast cover labels shipped with reflectors. Place label onto new ballast cover. This ensures ballast will be serviced correctly in the future. Replace label ONLY if changing ballast wattage from 1000 to 750.
20. Install top cover by evenly tightening (4) screws, making sure safety cable is not pinched.

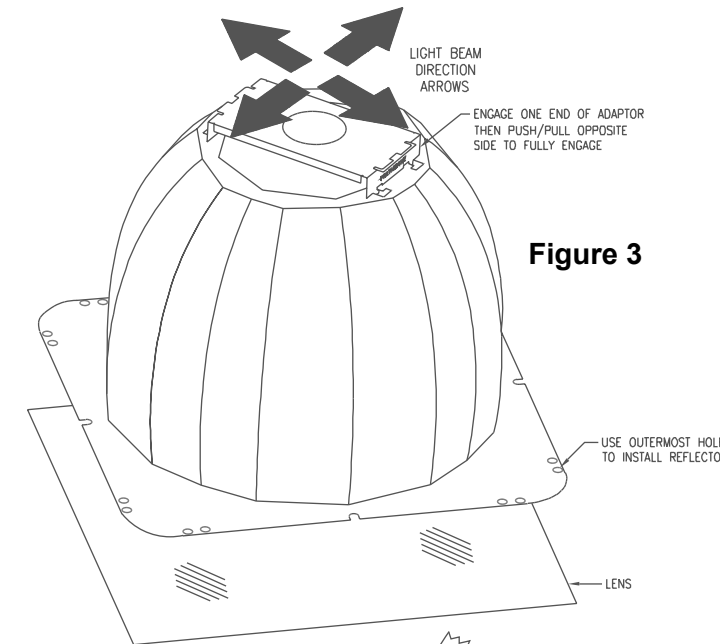


Figure 3

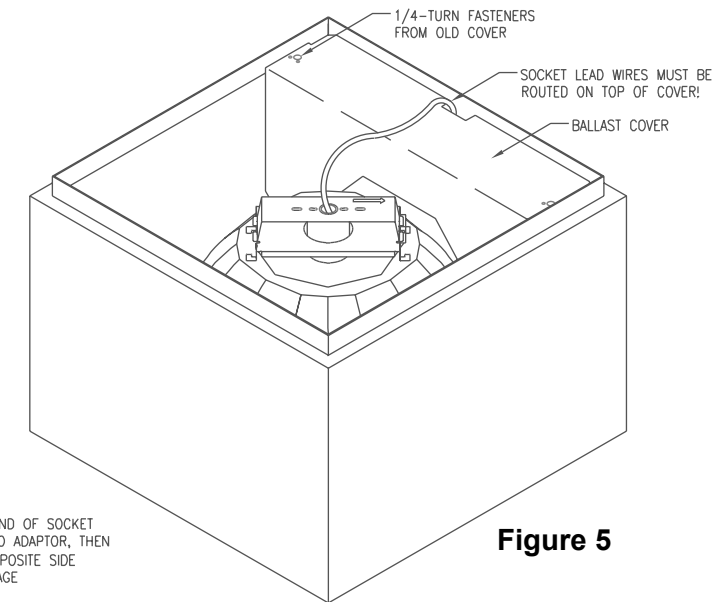


Figure 5

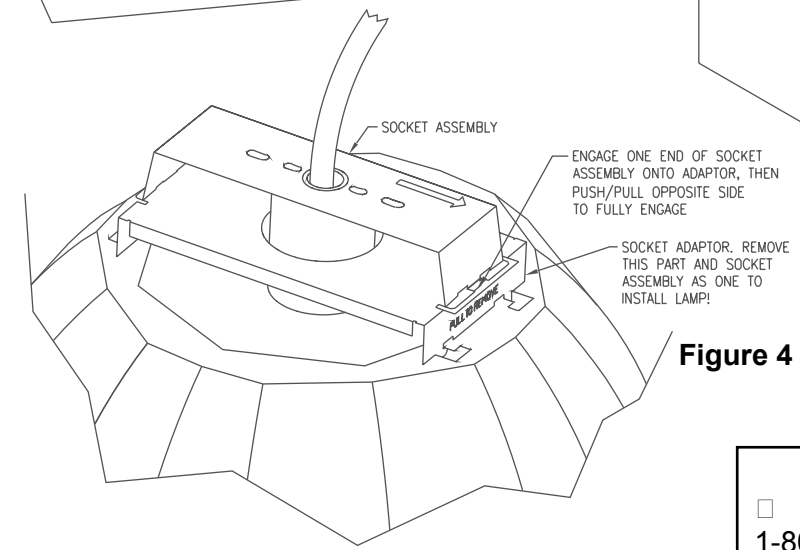


Figure 4

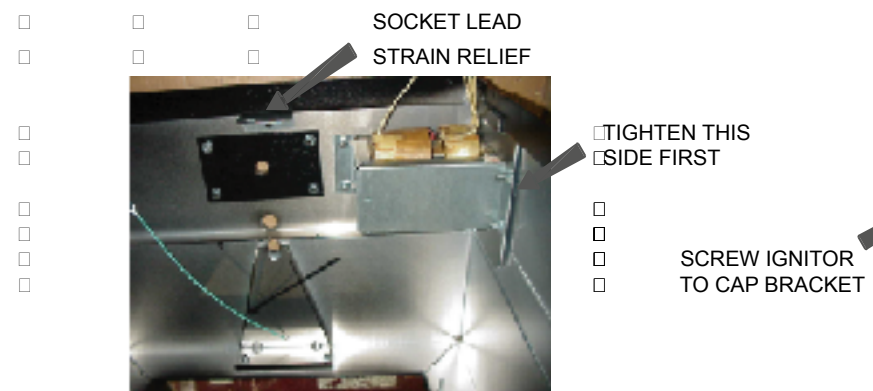


Figure 1

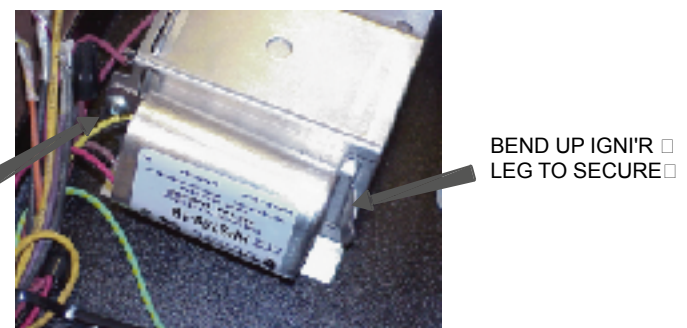


Figure 2

**Questions?**  
Call LSI Field Service  
1-800-436-7800 Ext. 3300 or Fax 1-877-861-1368

