

INSTALLATION AND ASSEMBLY INSTRUCTIONS

GBM, GFM, GBR, GFR, GBRS GREENBRIAR®

ARM MOUNT



SMARTVISION®



WARNING: Risk of fire or electrical shock. Disconnect power before installing or servicing.

WARNING: Verify the existing input voltage and choose matching voltage on Multi-tap ballast before wiring.

LUMINAIRE PREPARATION

1. Remove luminaire from packaging, taking care to protect lens and finish. Check packing slip to make sure all parts are present before proceeding.
2. Remove top cover by loosening (4) screws. Place cover and screws aside.
3. Remove ballast cover by loosening quarter-turn fasteners. Place ballast cover aside.

ARM ASSEMBLY

4. Lay pole on raised surface. Protect pole finish with soft cloth. See Figure 1.
5. Insert nut plate into pole end, so the large center hole is closest to the pole end. Thread both all-thread rods into nut plate.
6. Slide arm over all-thread. Position luminaire over arm. Tighten top mounting bolt first. Secure luminaire using flat washer, lock washer, and nut (in that order), then tighten. Repeat for bottom all-thread.
7. Feed supplied pigtail wiring from luminaire through bracket arm and into pole. **IMPORTANT: Luminaire is supplied with 150C rated wiring!**

WIRING CONNECTIONS

WARNING: Risk of electrical shock. High temperatures inside fixture. Make certain supply wiring is not "hot" before wiring. Make certain line voltage corresponds with ballast's primary voltage. See ballast label.

8. Wire luminaire per local code and the National Electrical Code.

NOTE: Make certain all unused leads are capped.

9. Direct wiring away from ballast and reflector using wire tie provided.

LUMINAIRE ASSEMBLY

10. Clean surface of reflector, plus inside and outside of lens, with soft cloth and non-ammonia, non-static cleaner.
11. Check to make sure lamp type and wattage are the same as shown on luminaire label. To ensure best contact in socket, tighten, loosen, and then retighten lamp. Wipe lamp with a soft, dry, clean cloth. **NOTE: If lamp is dirty, operating hours and performance will significantly decrease.**
12. Reflectors are rotatable in 90 degree increments. Position reflector in housing for desired light output. See Fig. 2 for light direction of reflectors. Reinstall ballast cover. **IMPORTANT! Be certain that socket lead wires are routed OVER the TOP of the ballast cover (NOT UNDER the ballast cover)!**
13. Reinstall top cover and cover screws. Install pole cap.
14. The luminaire and pole assembly are now ready for installation to anchor bolts. When erecting pole, use belts, slings or ropes - do not use chain or cable. Do not attach at luminaire arm!
NOTE: Pole must be pointed in correct direction! See Figure 2.
NOTE: Before setting pole on anchor bolts, check to make sure pole and luminaire are still positioned correctly for desired light distribution. Set and level anchor bolts using nuts and washers provided.
15. Install base cover if supplied.

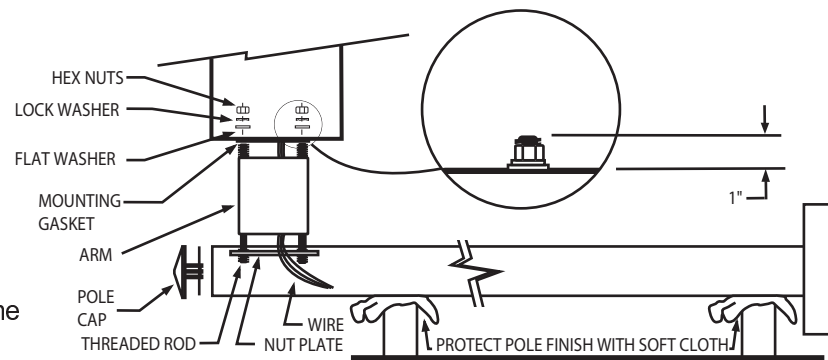


FIGURE 1

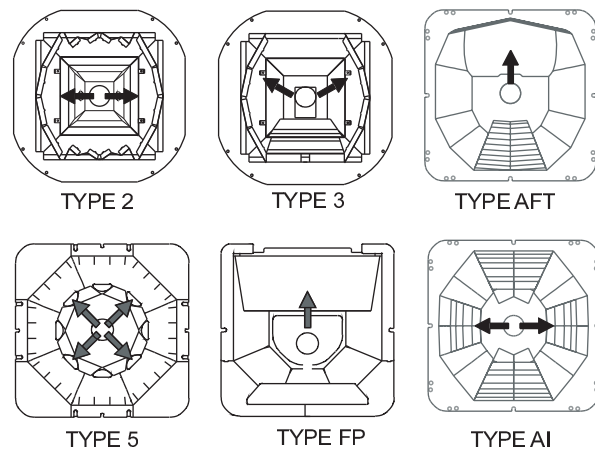


FIGURE 2

NOTE: Arrows depict light direction

Installation Questions?
Call LSI Field Service Department at:
1-800-436-7800 Ext. 3300
Fax: 1-877-861-1368



INSTALLATION AND ASSEMBLY INSTRUCTIONS

GBPM, GFPM, GBPR, GFPR, GBPRS GREENBRIAR®

POLE TOP MOUNT



SMARTVISION®



WARNING: Risk of fire or electrical shock. Disconnect power before installing or servicing.

WARNING: Verify the existing input voltage and choose matching voltage on Multi-tap ballast before wiring.

LUMINAIRE PREPARATION

1. Remove luminaire from packaging, taking care to protect lens and finish. Check packing slip to make sure all parts are present before proceeding.
2. Remove top cover by loosening (4) screws. Set cover and screws aside.
3. Remove ballast cover by loosening quarter-turn fasteners.

LUMINAIRE INSTALLATION

4. Lay pole on raised surface. Protect pole finish with soft cloth.
5. Unscrew (turn counter-clockwise) cover from yoke assembly. See Figure 1.
6. Slide cover retaining bracket from under screws and remove. **Note: Mounting bolt and lock washer are attached to yoke arm on medium luminaires.**
7. Feed supplied pigtail wiring through either slot on pole top mounting plate, and then through either hole in bottom of yoke assembly.
8. Attach luminaire to top of pole as shown in Figure 1. Be certain not to pinch wiring between yoke assembly and pole top.

WIRING CONNECTIONS

WARNING: Risk of electrical shock. High temperatures inside fixture. Make certain supply wiring is not "hot" before wiring. Make certain line voltage corresponds with ballast's primary voltage. See ballast label.

IMPORTANT: Luminaire is supplied with 150C rated wiring!

10. Wire fixture per local code and the National Electrical Code. **NOTE: Make certain all unused leads are capped.**
11. Direct wiring away from ballast and reflector using wire tie provided.

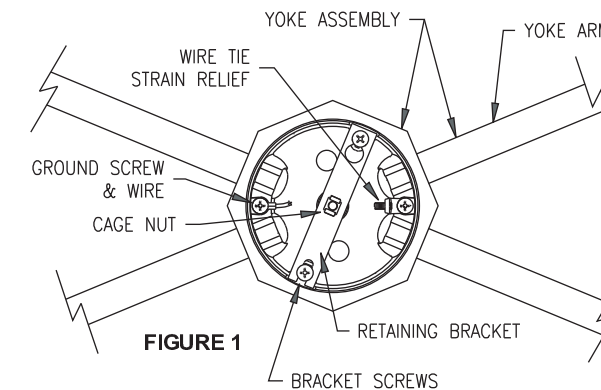


FIGURE 1

TOP VIEW SHOWN WITH CAP REMOVED!

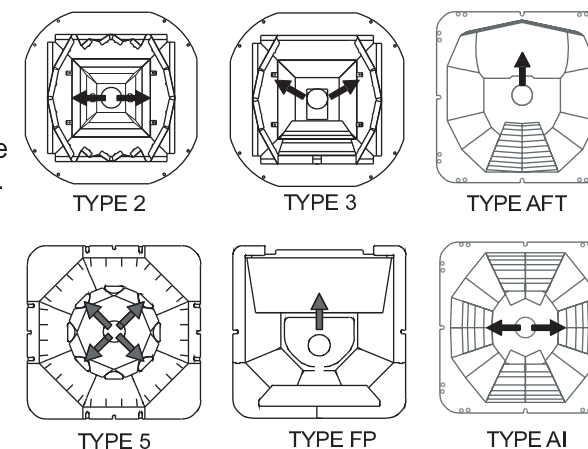


FIGURE 2
NOTE: Arrows depict light direction

LUMINAIRE ASSEMBLY

12. All reflectors are rotatable in 90 degree increments. Position reflector in housing for desired light direction. Luminaires may be rotated on pole top as well. See Figure 2. Clean surface of reflector, plus inside and outside of lens with soft cloth and non-ammonia, non-static cleaner.
13. Check to make sure lamp type and wattage are the same as shown on luminaire label. To insure best contact in socket, tighten, loosen, and then retighten lamp. Wipe lamp with a soft, dry, clean cloth. **NOTE: If lamp is dirty, operating hours and performance will significantly decrease.**
14. Reinstall reflector top. Reinstall ballast cover. **IMPORTANT! Be certain that socket lead wires are routed OVER the TOP of the ballast cover (NOT UNDER the ballast cover)!**
15. Reinstall luminaire cover and (4) screws. Reinstall yoke cap.
16. The luminaire and pole assembly are now ready for installation to anchor bolts. When erecting pole, use belts, slings or ropes - do not use chain or cable. **Do not attach at yoke arms or luminaire!**
17. Install base cover if supplied.

Installation Questions?
Call LSI Field Service Department at:
1-800-436-7800 Ext. 3300
Fax: 1-877-861-1368

